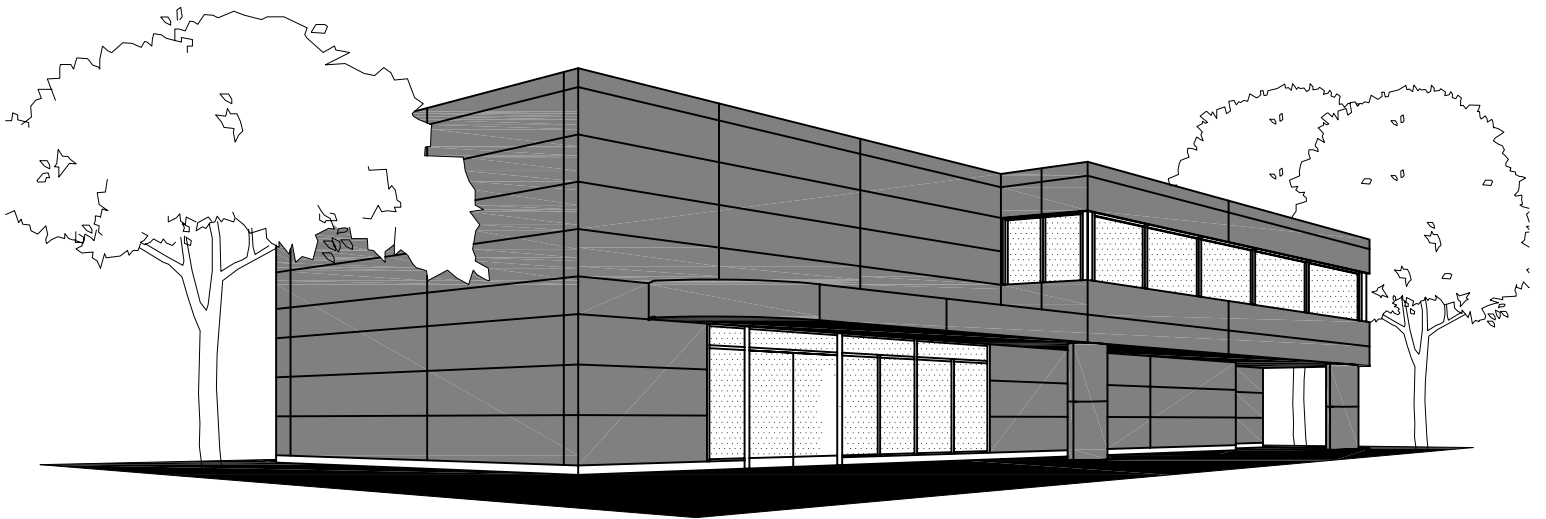


KEITH PANEL SYSTEMS

D E T A I L S



SYSTEM -A- PLUS WITH SINGLE SKIN

KEITH PANEL SYSTEMS

S Y S T E M - A - P L U S

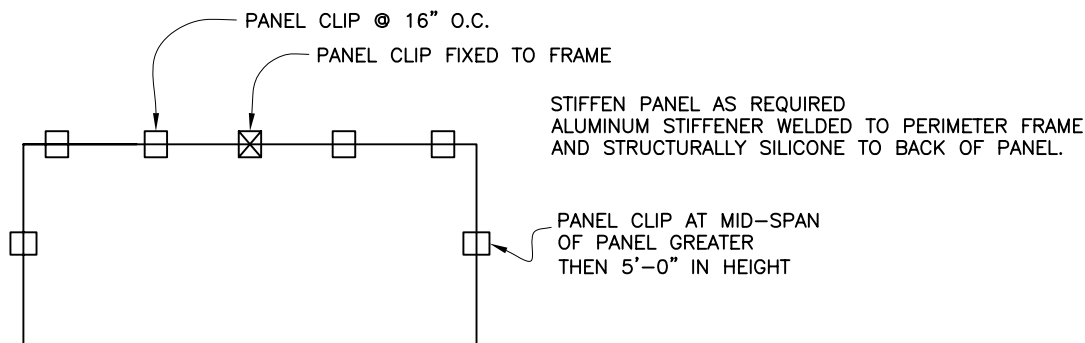
****THIS MANUAL IS PROVIDED FOR INFORMATION PURPOSES ONLY****

THE DETAILS SHOWN IN THIS DRAWING PACKAGE ARE NOT INTENDED TO REPLACE PROJECT SPECIFIC SUBMITTAL DRAWINGS, AND ARE SUBJECT TO CHANGE AT ANY TIME. ANY USE OF THESE DRAWINGS OR INSTALLATION OF THE SYSTEM SHOWN IN THESE DRAWINGS SHALL EXCLUSIVELY BE AT THE RISK OF THE PARTIES INVOLVED IN SUCH USE OR INSTALLATION, AND EACH OF SUCH PARTIES ASSUMES ANY AND ALL SUCH RISKS. BY USING THESE DRAWINGS/DETAILS IN ANY WAY, YOU ACKNOWLEDGE AND AGREE THAT YOU HAVE READ AND UNDERSTAND THIS LEGAL NOTICE.

GENERAL NOTES

1. KPS IS NOT RESPONSIBLE FOR INFORMATION SHOWN ON ALL DETAILS BEYOND KPS SPECIFIC SCOPE OF WORK.
2. DETAILS OF ADJACENT WORK ARE SHOWN FOR COMPLETENESS ONLY. THE PROJECT ARCHITECT/ PROJECT ENGINEER/ THE CONTRACTOR SUPPLYING AND/OR INSTALLING THE STRUCTURAL SUPPORT IS RESPONSIBLE FOR ITS DESIGN/ INSTALLATION TO ACCOMMODATE ALL LOADS IMPOSED UPON IT BY OUR PRODUCTS.
3. OUR ENGINEERING IS LIMITED TO THE LOAD CARRYING COMPONENTS OF THE PANEL SYSTEM AND ITS FASTENERS SHOWN ON THESE SHOP DRAWINGS.
4. OUR COMPANY POLICY IS TO IMPROVE AS WE PROGRESS, THEREFORE, THE DETAILS IN THIS MANUAL MAY IMPROVE OR CHANGE AS APPROVED BY CONSULTANTS.
5. THESE DRAWINGS SHALL REMAIN THE PROPERTY OF KEITH PANEL SYSTEMS CO. LTD. THIS DOCUMENT SHALL NOT BE REPRODUCED OR USED FOR ADDITIONS OR ALTERATIONS WITHOUT THE PRIOR WRITTEN CONSENT OF KEITH PANEL SYSTEMS CO. LTD.
6. JOINT CAULKING: IF REQUIRED. DOW CWS RECOMMENDED. (NOTE SHOP DRAWINGS FOR LOCATIONS.)
7. WEEP HOLES: 1/4" DIAMETER HOLES. 2 HOLES—ONE AT EACH END ON HORIZONTAL AND VERTICAL PANELS.
8. INTERACTION BETWEEN DISSIMILAR MATERIALS (IE. ALUMINUM TO GALVANIZED STEEL) MUST BE SEPARATED (IE. SHIMS OR SEPARATION TAPE).
9. ADJACENT SUBTRADES TO LEAVE MINIMUM 6" FLAP OF AIR/VAPOUR BARRIER TO TIE IN WITH KPS. SIMILIARLY KPS WILL LEAVE 6" FLAP TO TIE IN WITH ADJACENT SUBTRADES WHICHEVER COMES FIRST.

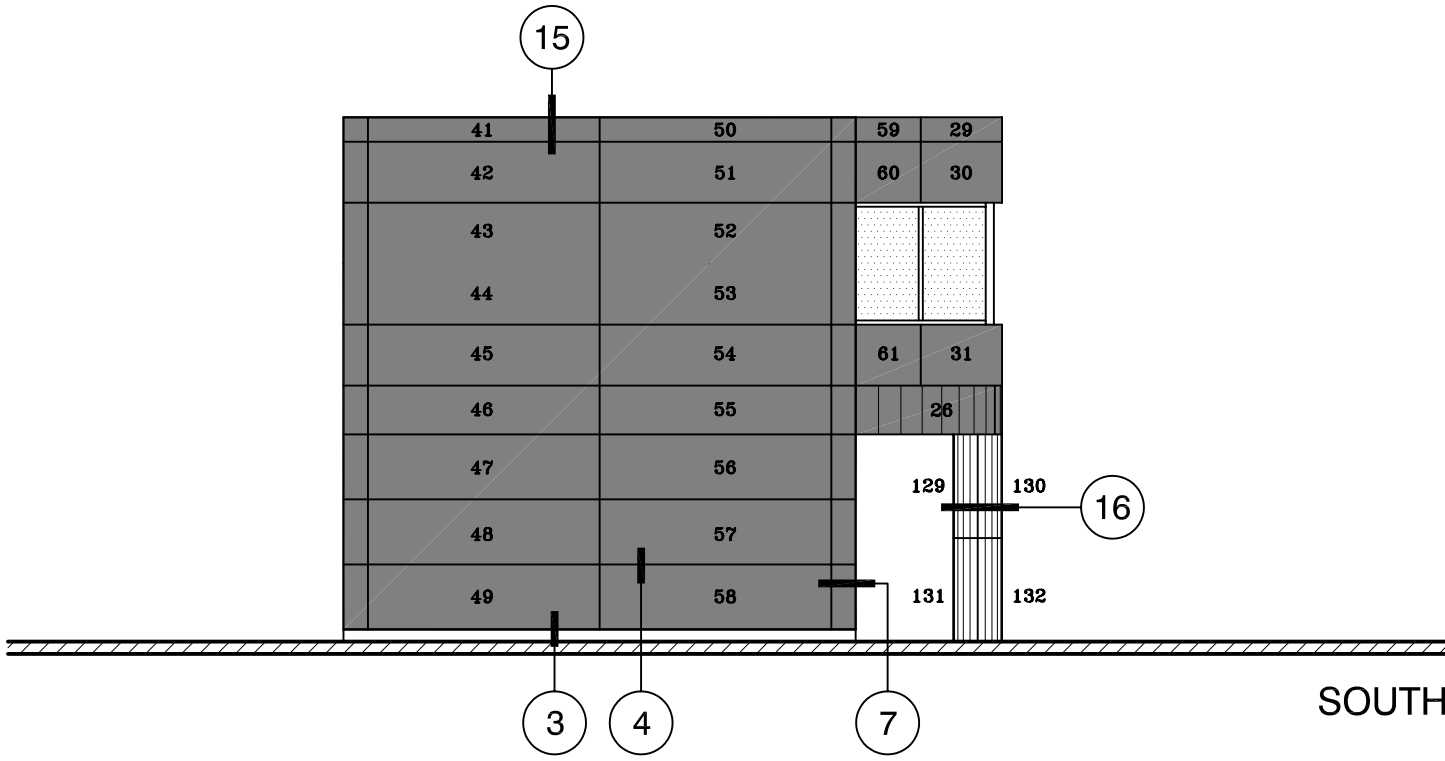
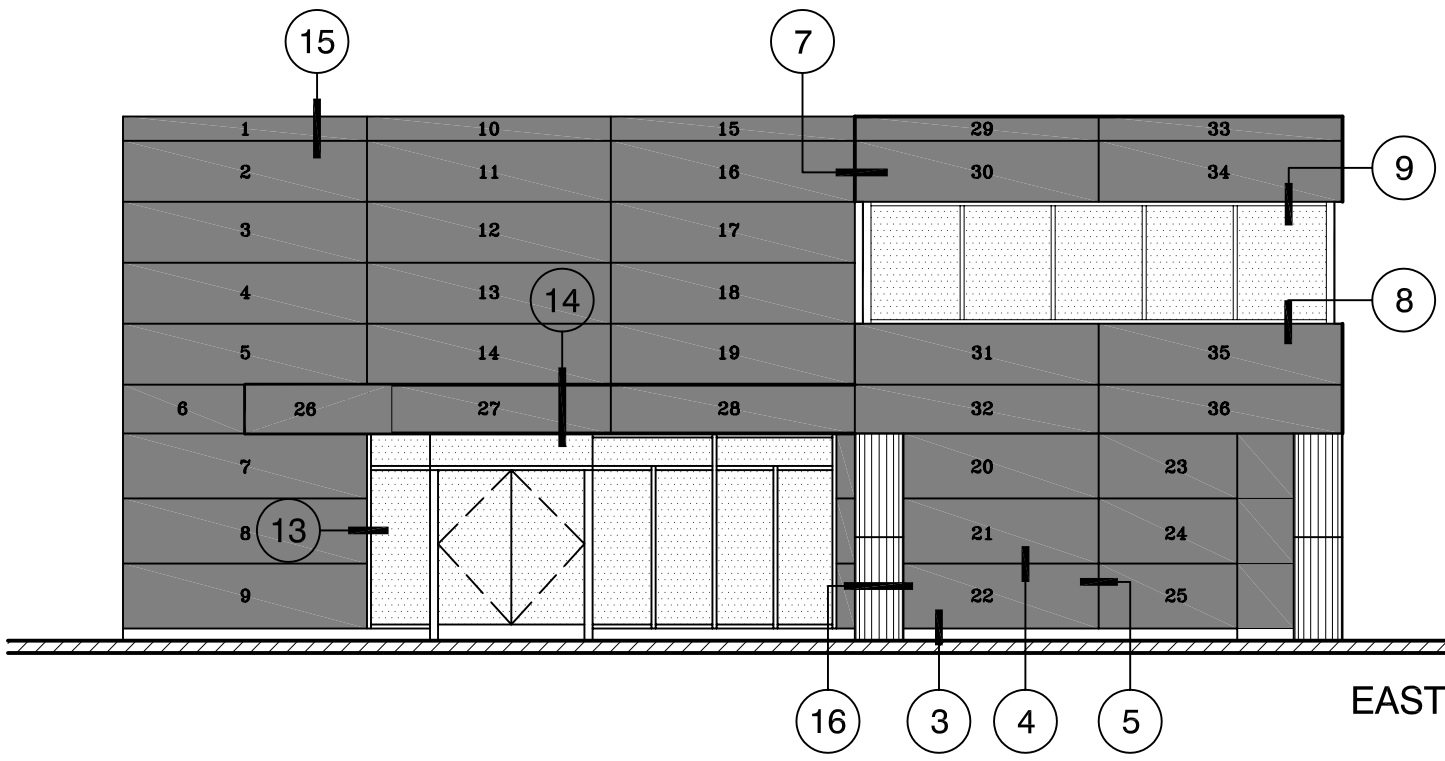
TYPICAL PANEL CLIP LAYOUT



KPS_GENERIC_A

KEITH PANEL SYSTEMS

SYSTEM -A- PLUS



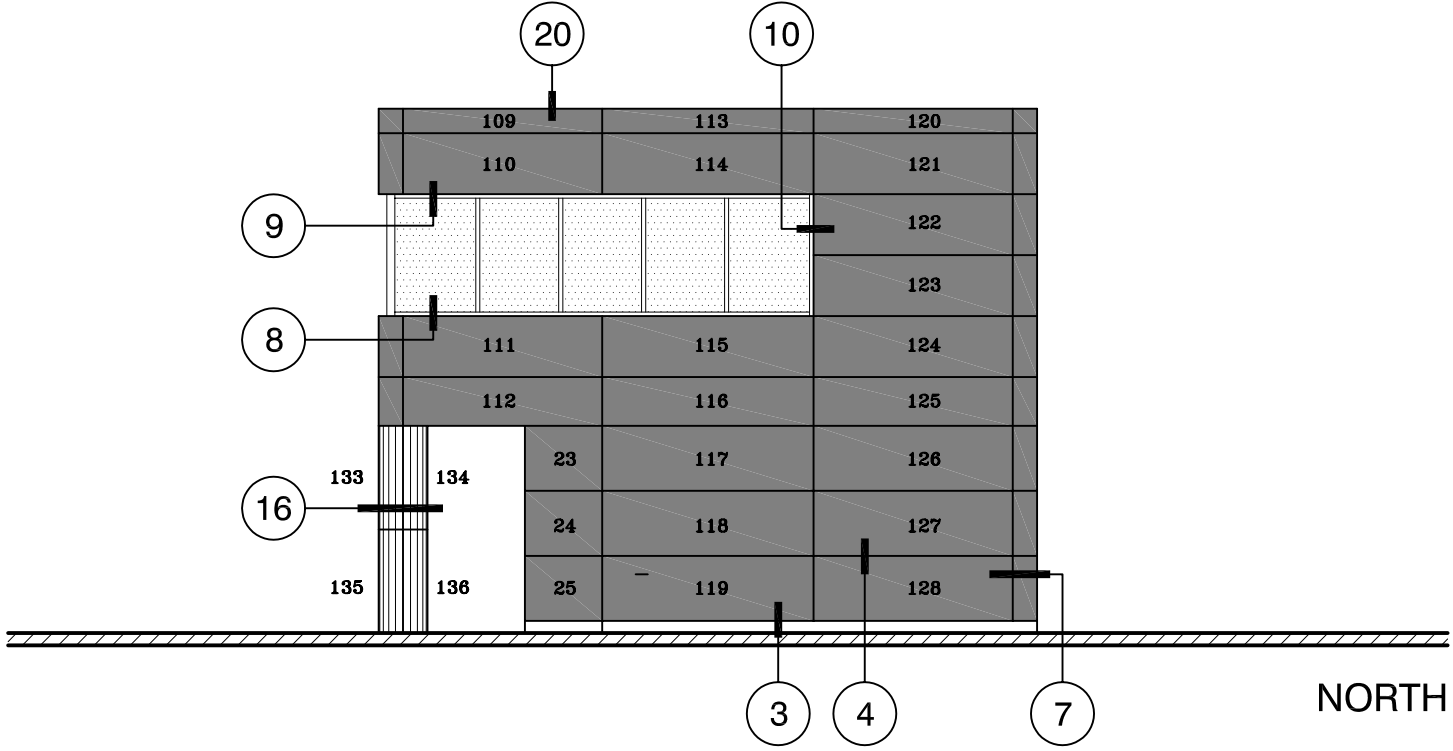
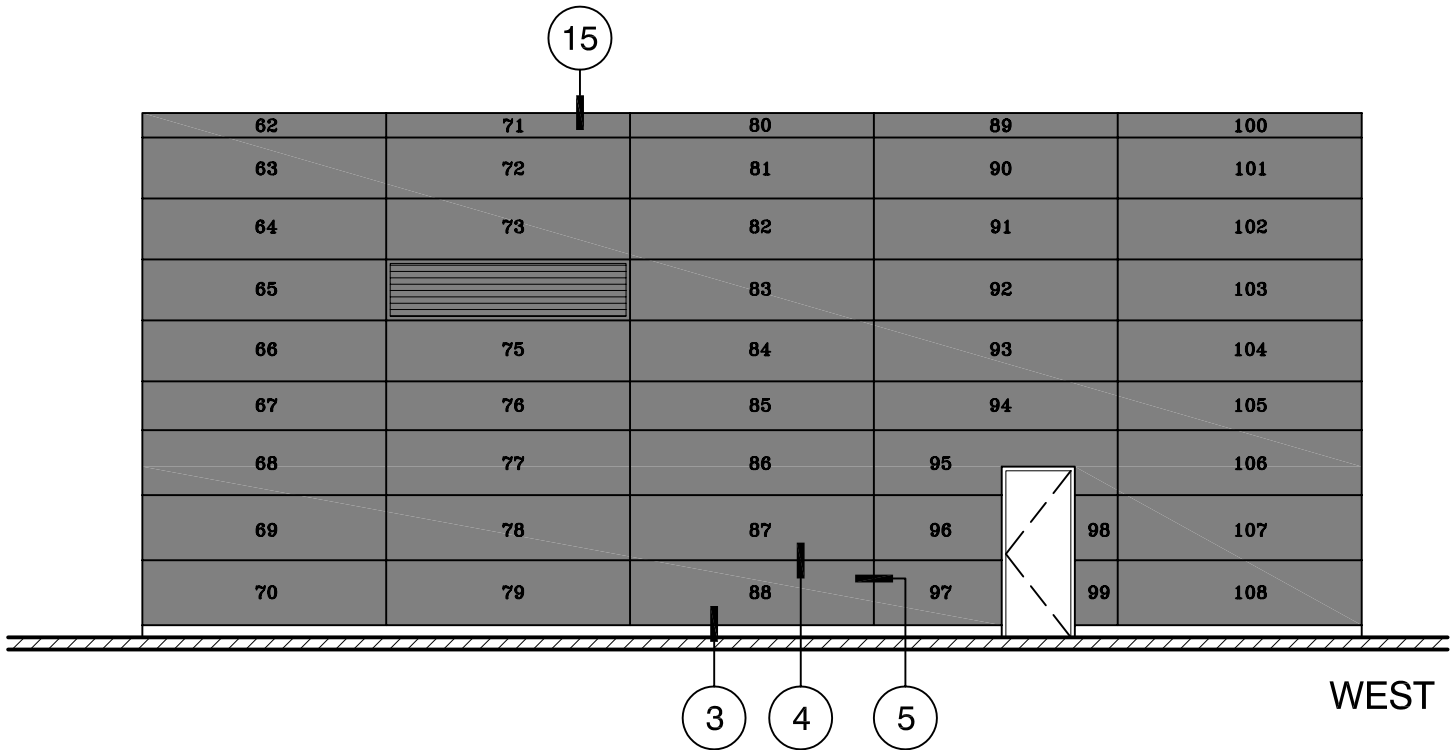
KPS_GENERIC_A



EAST AND SOUTH ELEVATIONS | 1 OF 17

KEITH PANEL SYSTEMS

SYSTEM -A- PLUS



KPS_GENERIC_A

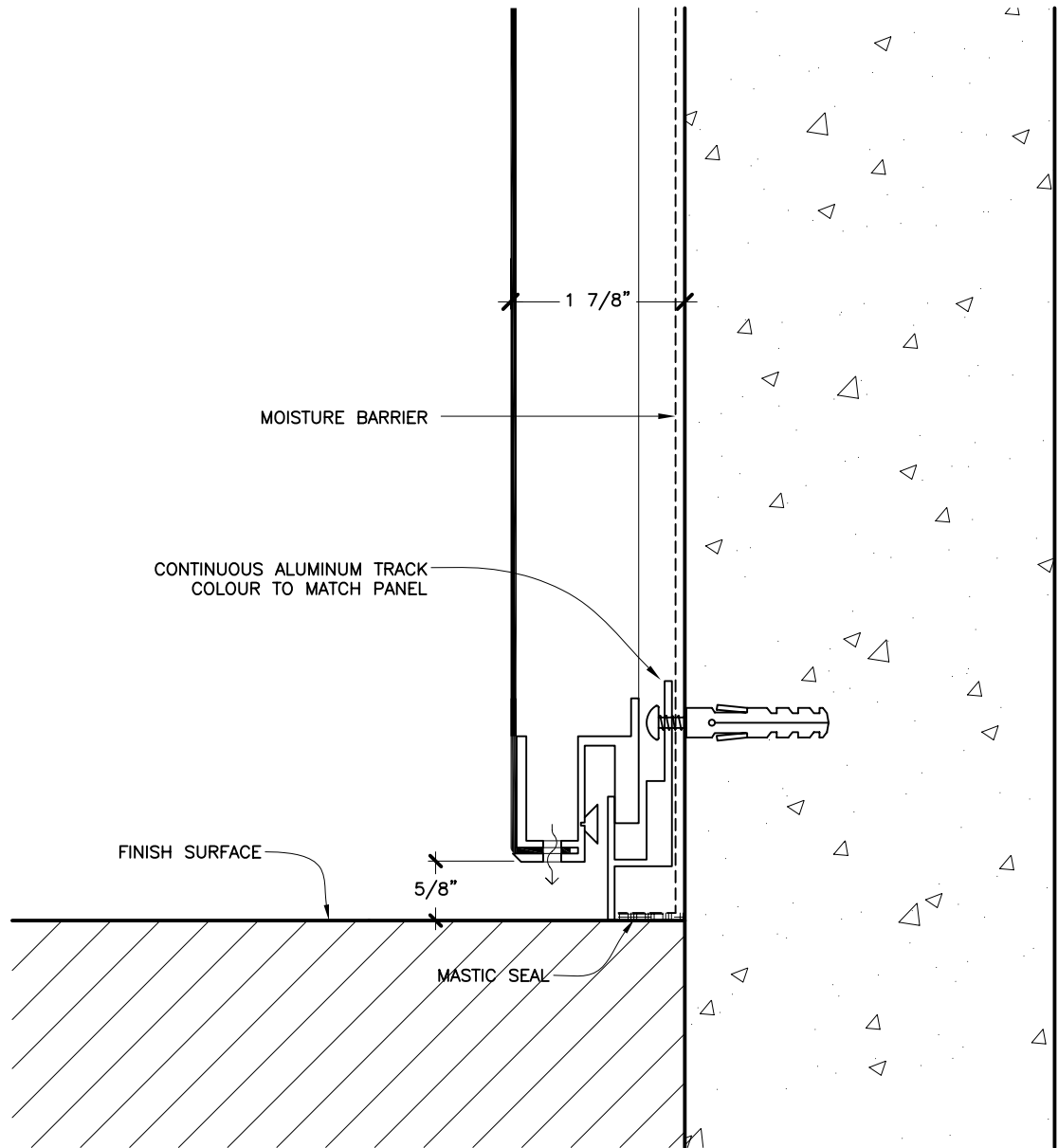


WEST AND NORTH ELEVATIONS

2 OF 17

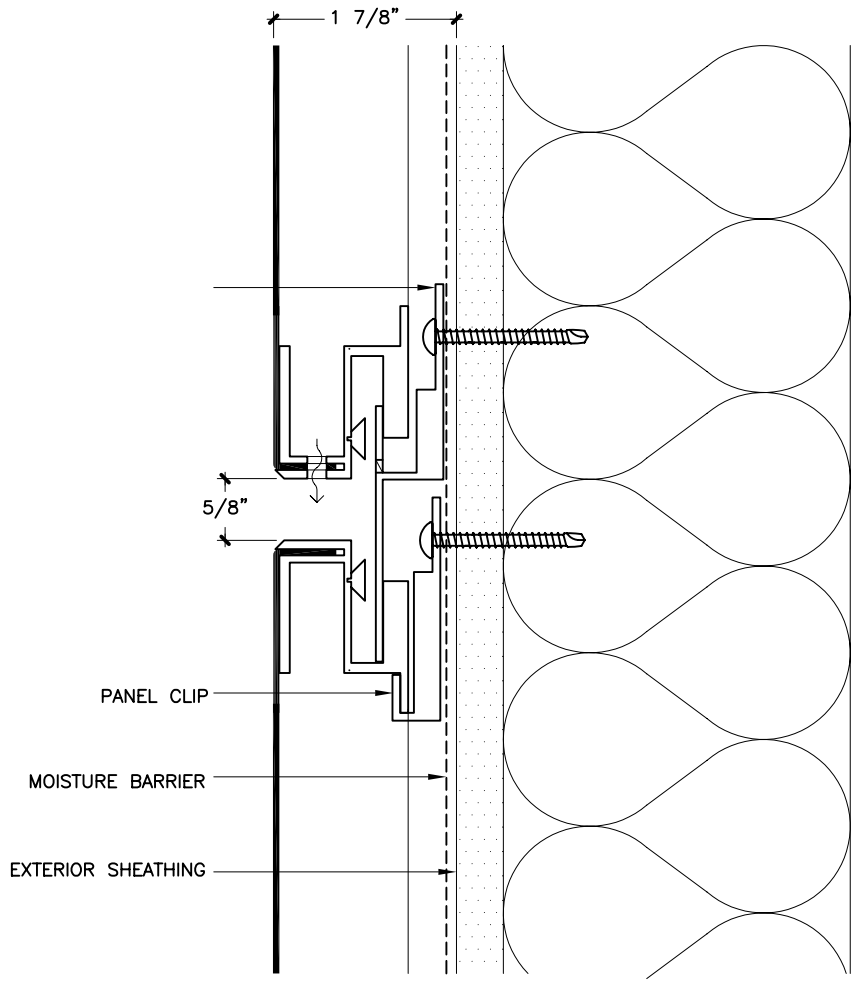
KEITH PANEL SYSTEMS

S Y S T E M - A - P L U S



PANEL SILL AT FINISHED GRADE/BALCONY

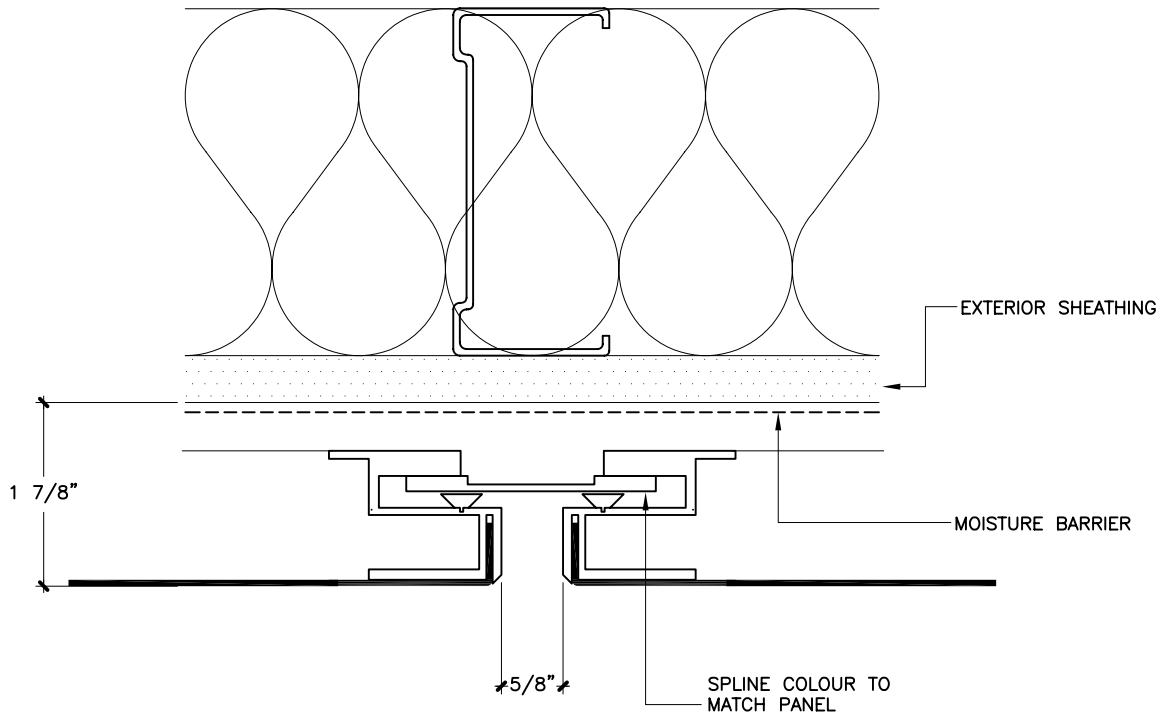
3 OF 17



HORIZONTAL JOINT

KEITH PANEL SYSTEMS

SYSTEM - A - PLUS

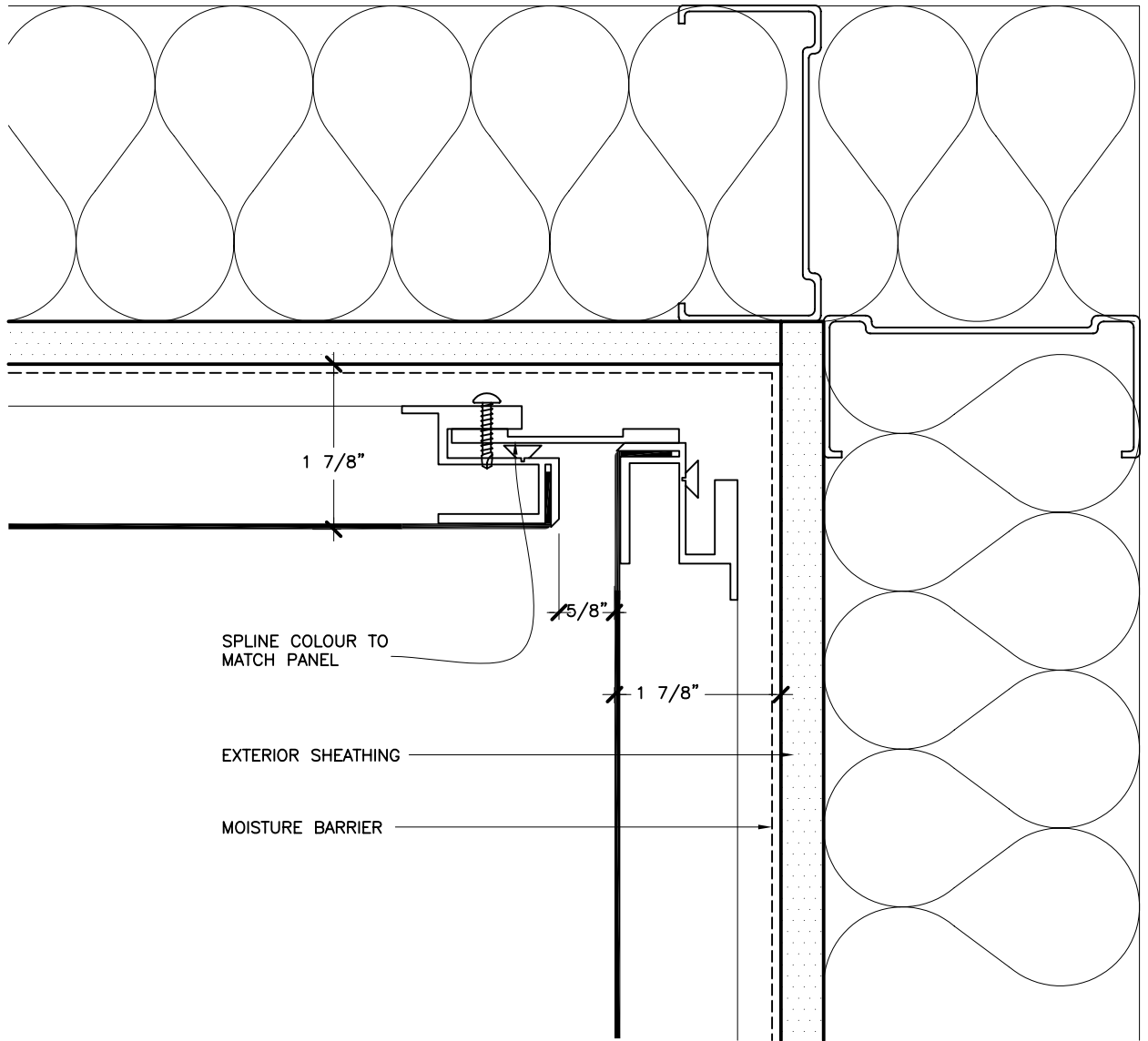


VERTICAL JOINT

5 OF 17

KEITH PANEL SYSTEMS

SYSTEM -A- PLUS

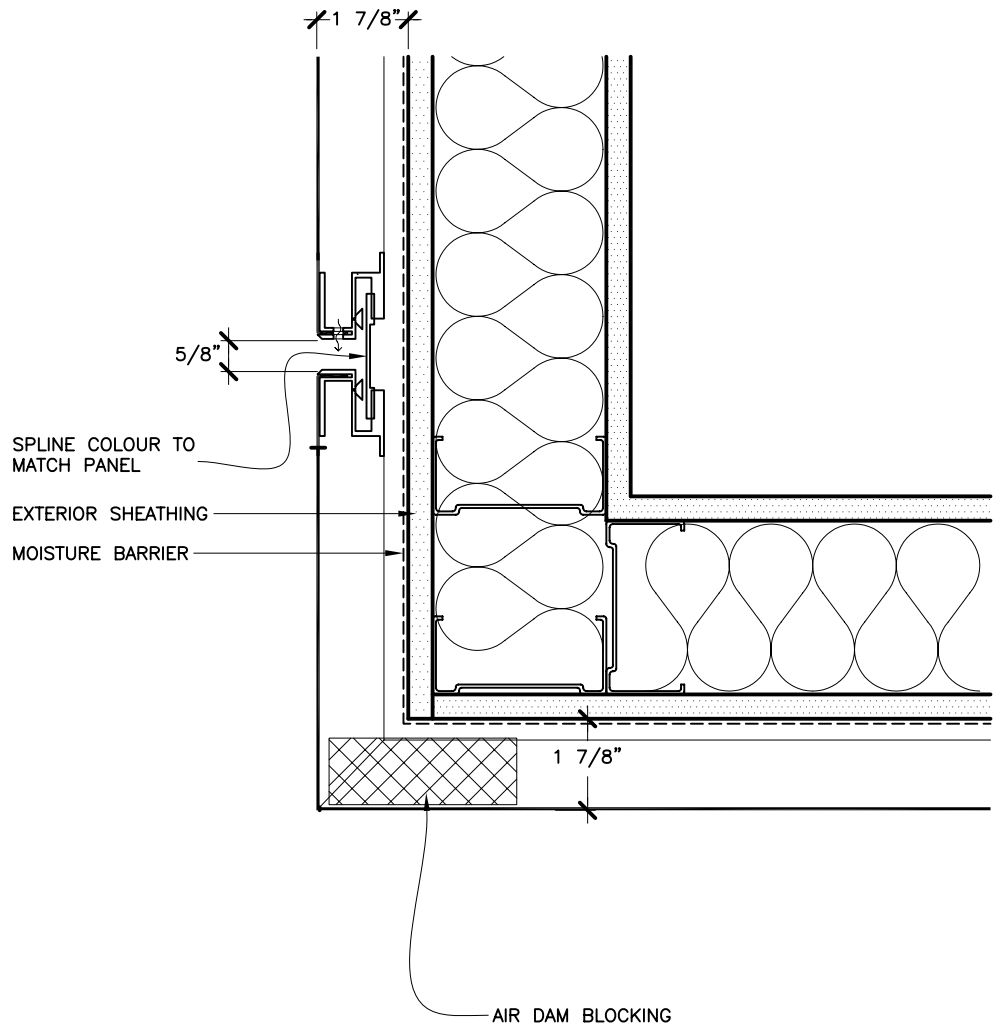


PLAN DETAIL
INSIDE CORNER

6 OF 17

KEITH PANEL SYSTEMS

SYSTEM -A- PLUS



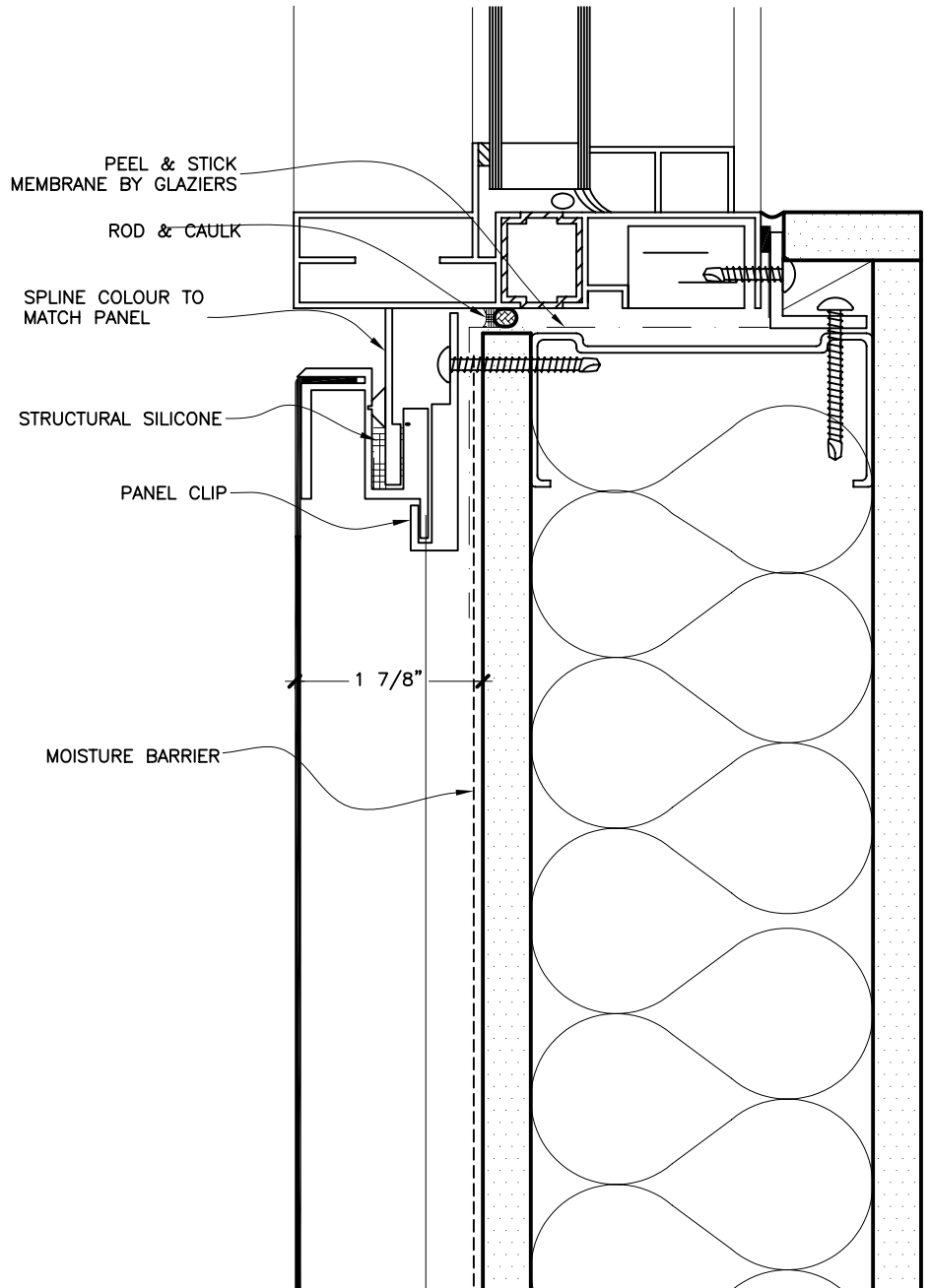
PLAN DETAIL
OUTSIDE CORNER



7 OF 17

KEITH PANEL SYSTEMS

SYSTEM -A- PLUS

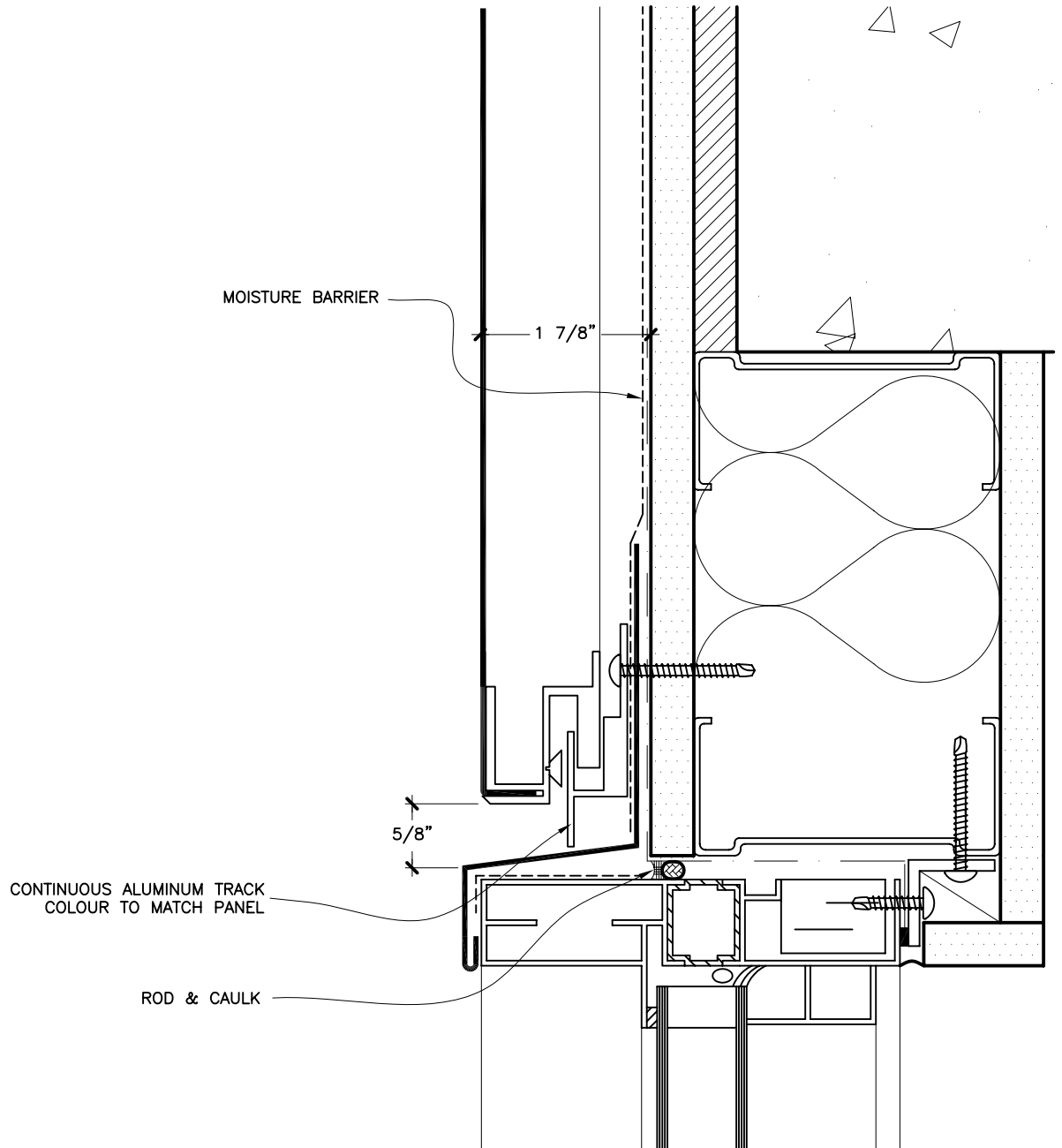


WINDOW SILL

8 OF 17

KEITH PANEL SYSTEMS

SYSTEM -A- PLUS

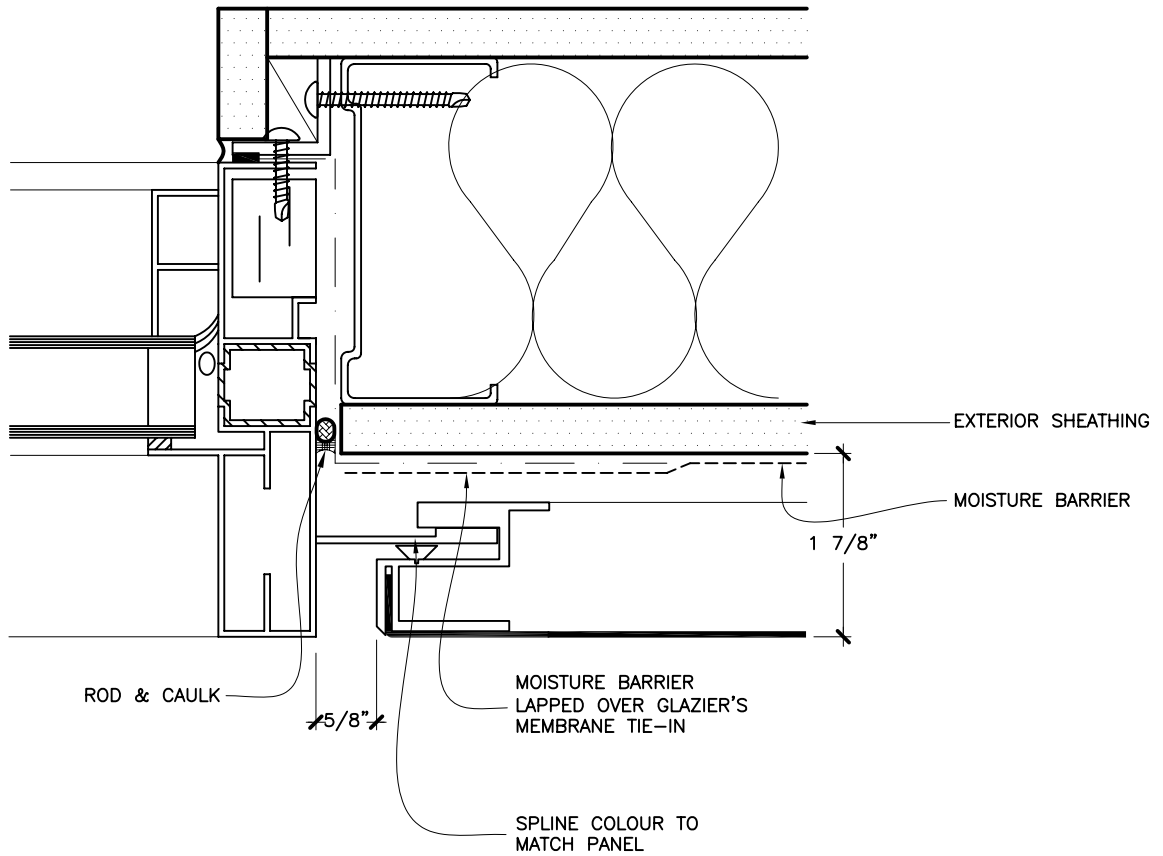


WINDOW HEAD

9 OF 17

KEITH PANEL SYSTEMS

SYSTEM - A - PLUS

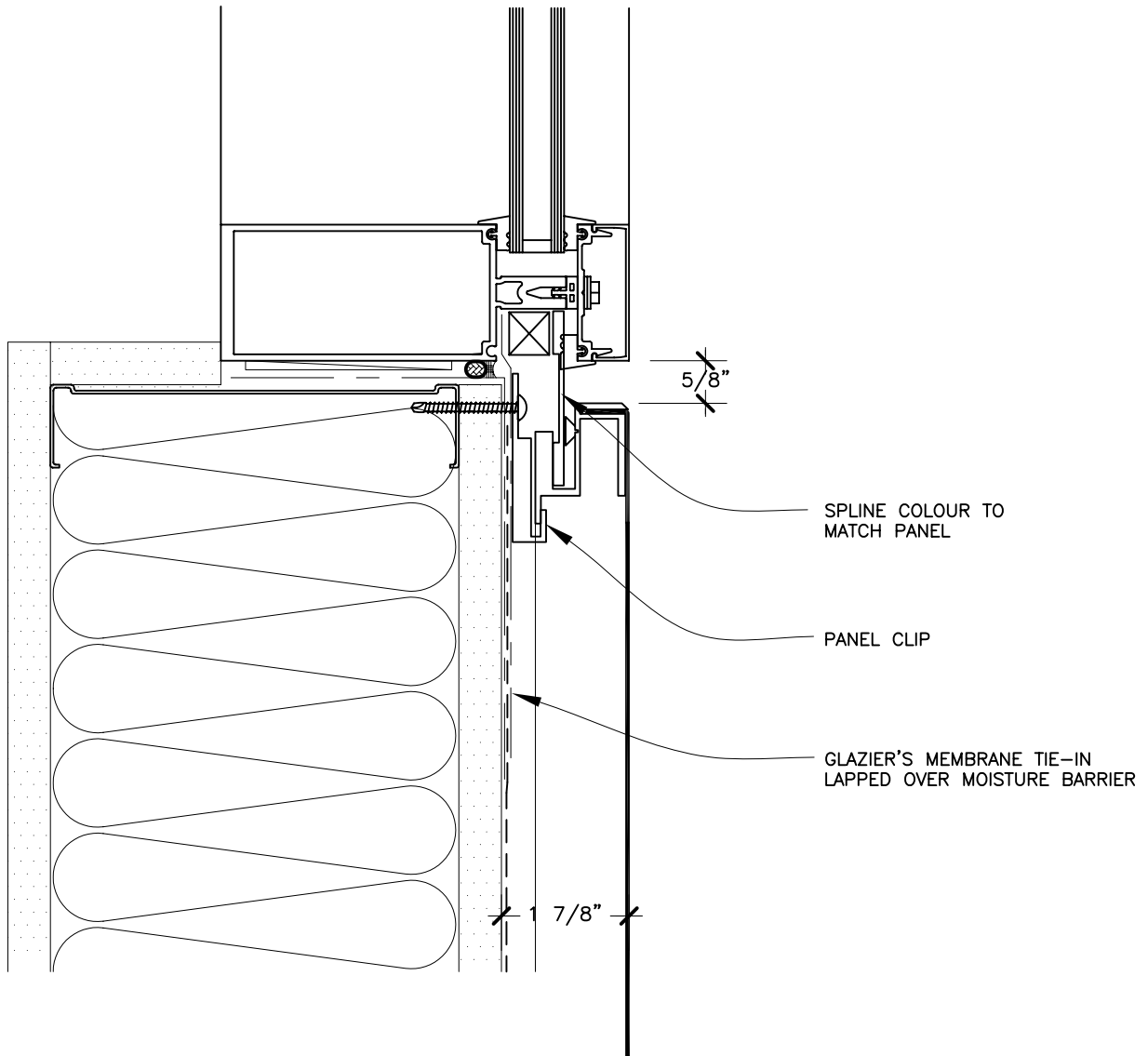


WINDOW JAMB

10 OF 17

KEITH PANEL SYSTEMS

SYSTEM -A- PLUS

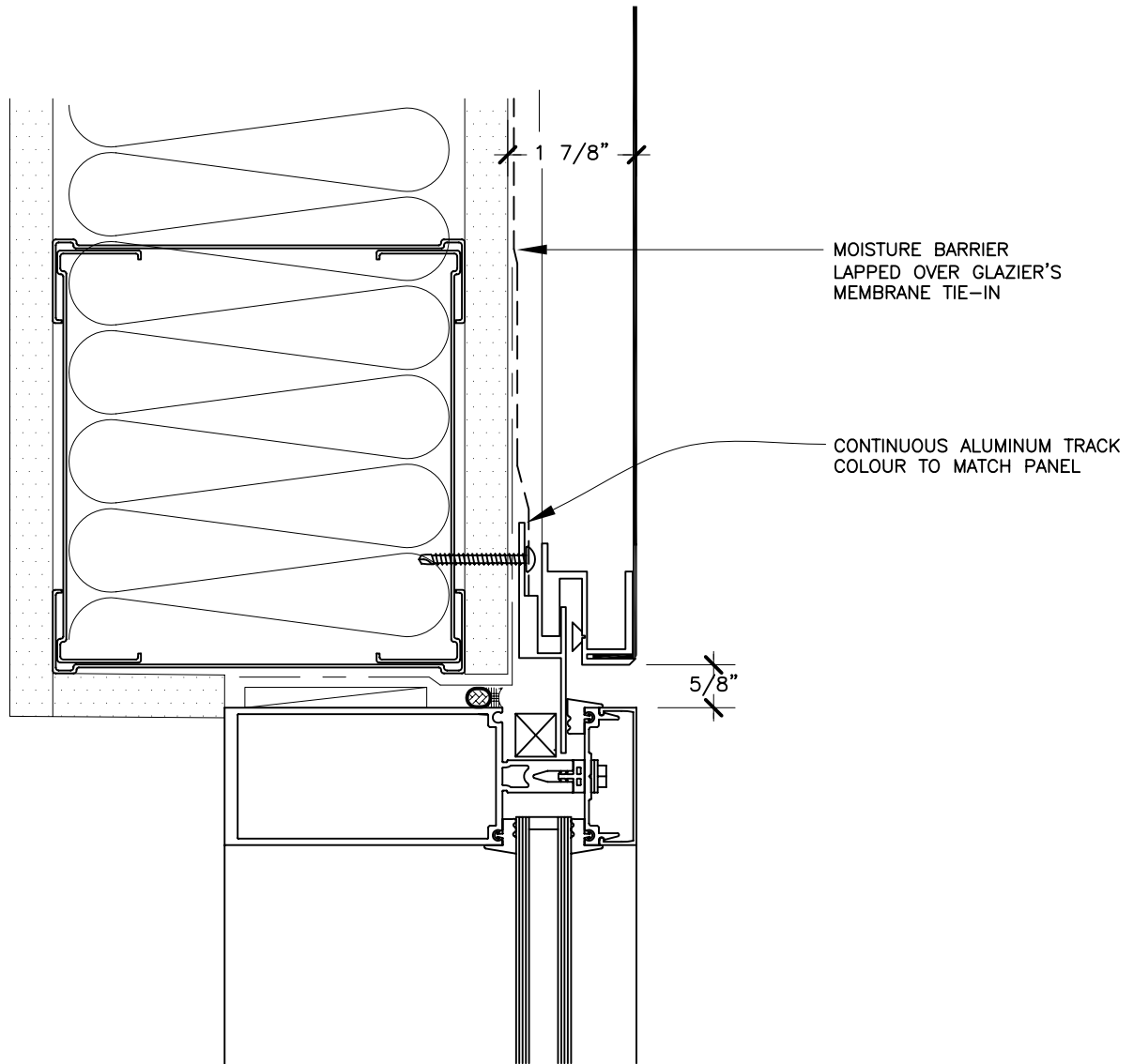


CURTAIN WALL SILL

11 OF 17

KEITH PANEL SYSTEMS

SYSTEM - A - PLUS

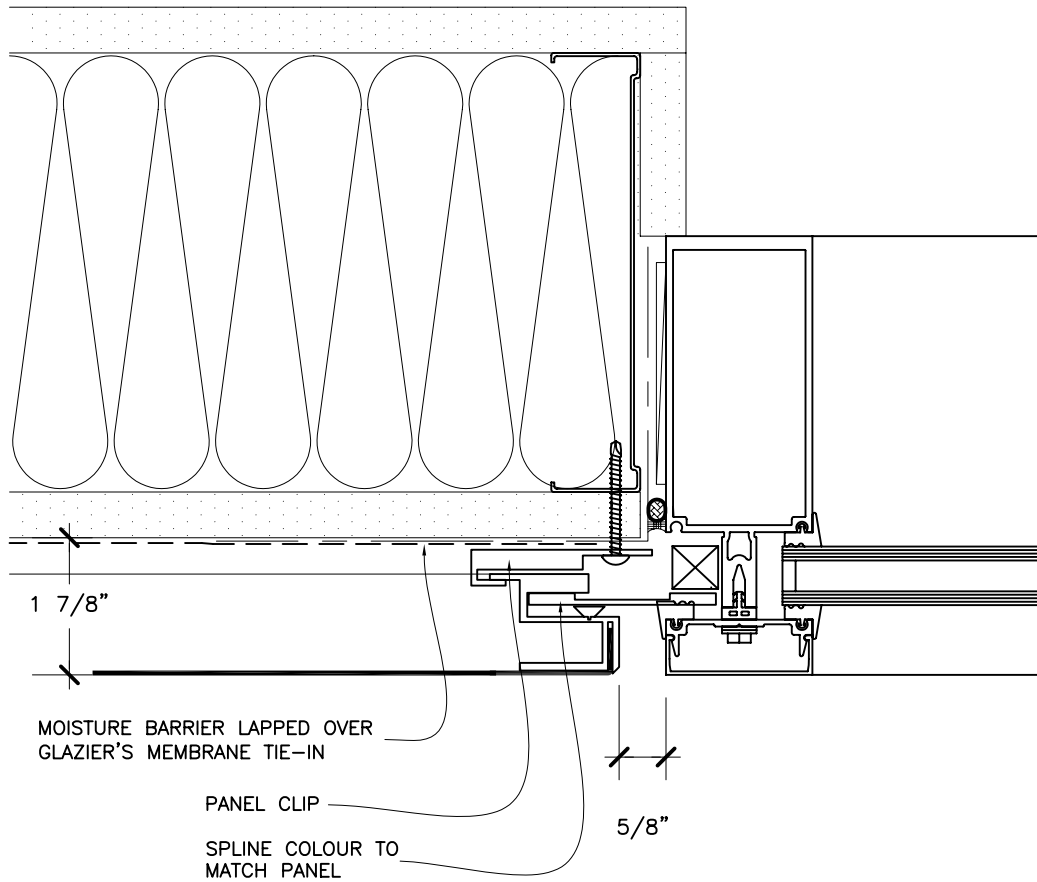


CURTAIN WALL HEAD

12 OF 17

KEITH PANEL SYSTEMS

SYSTEM -A- PLUS

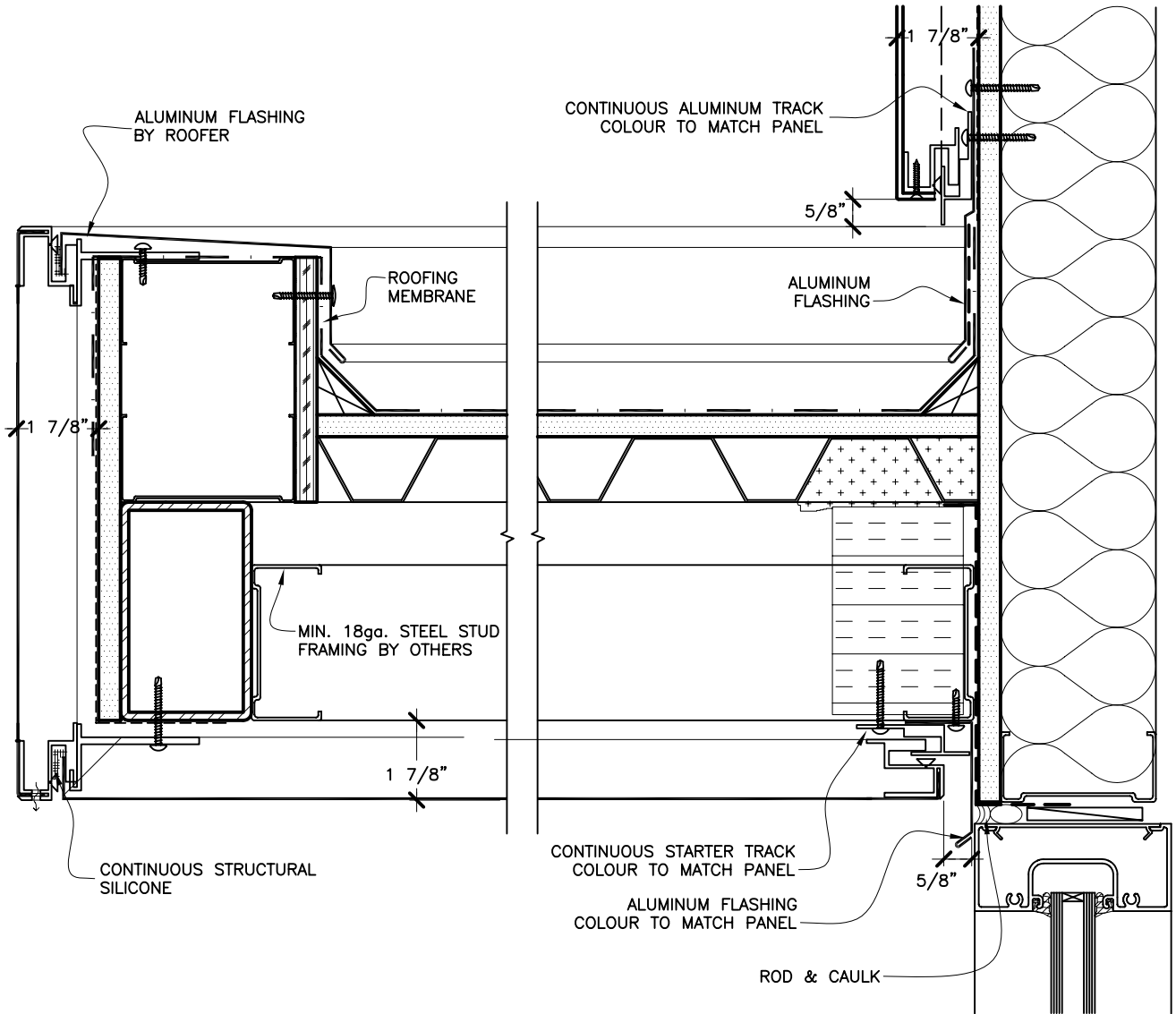


CURTAIN WALL JAMB

13 OF 17

KEITH PANEL SYSTEMS

SYSTEM - A - PLUS

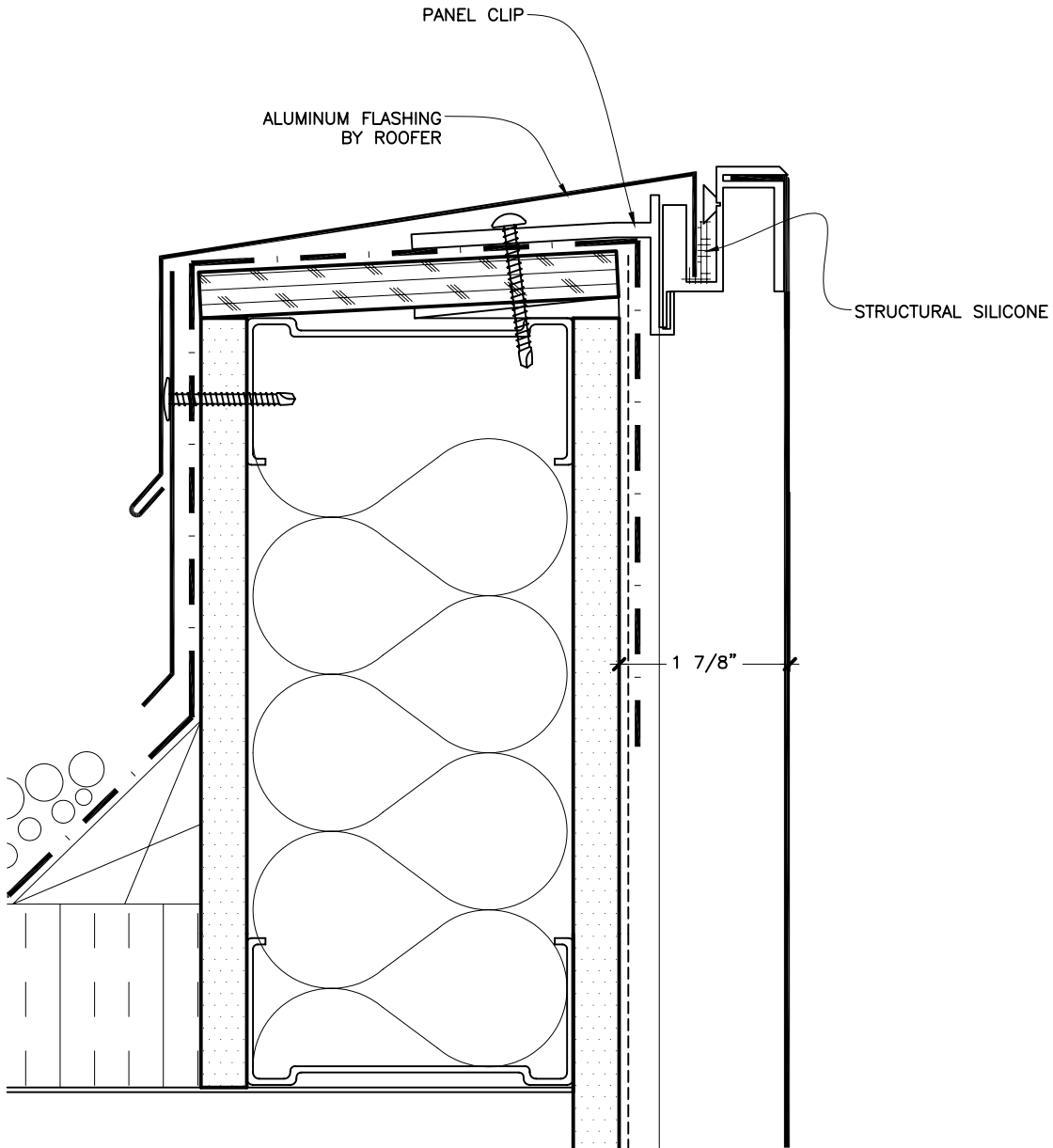


CANOPY SECTION

14 OF 17

KEITH PANEL SYSTEMS

SYSTEM -A- PLUS

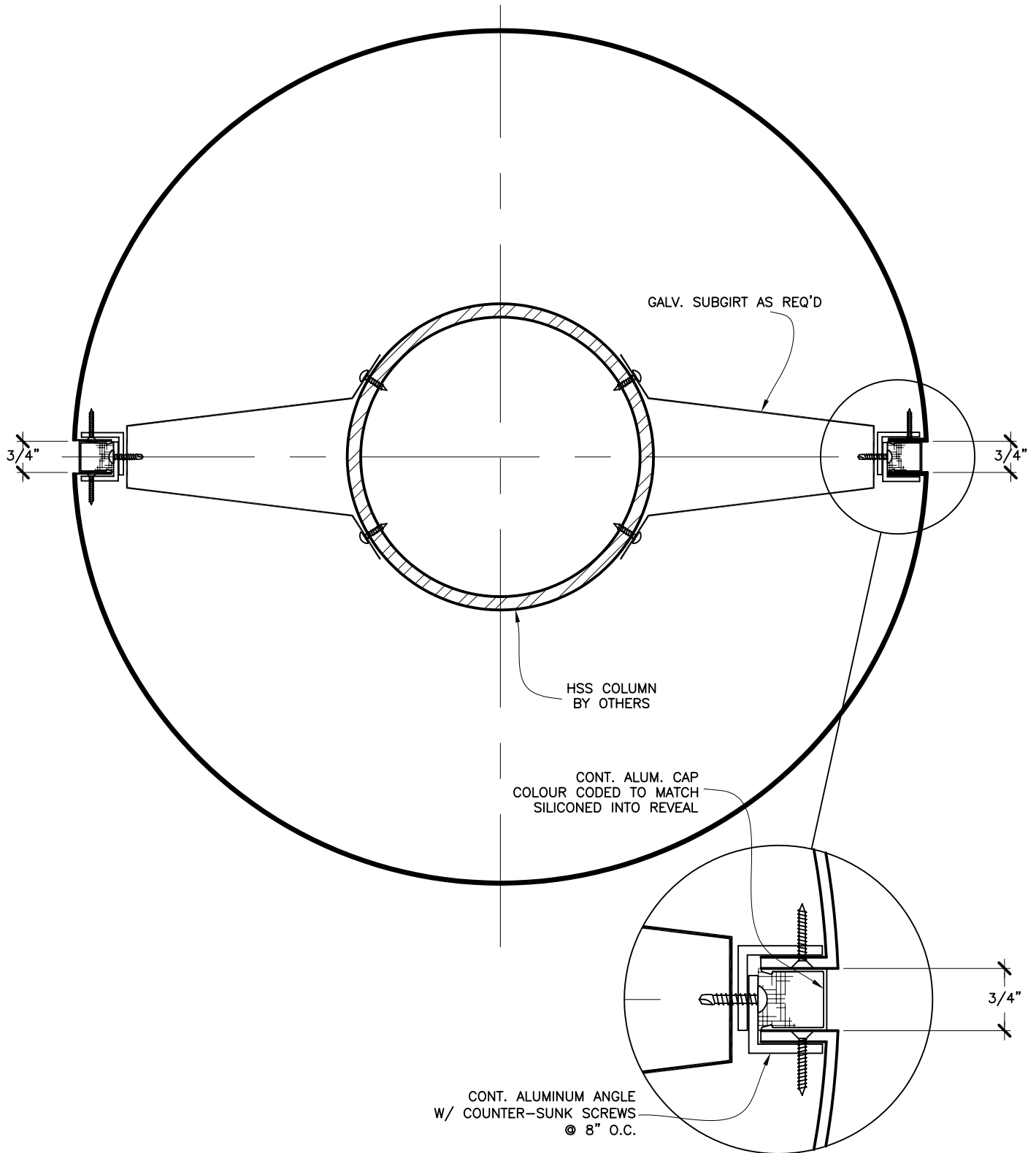


PARAPET SECTION DETAIL

15 OF 17

KEITH PANEL SYSTEMS

SYSTEM - A - PLUS

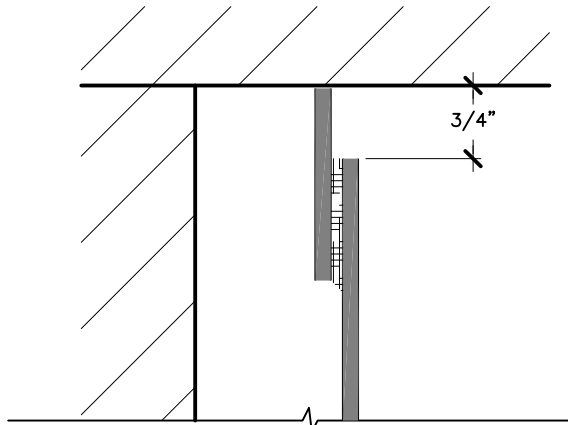


ROUND COLUMN COVERS PLAN DETAIL

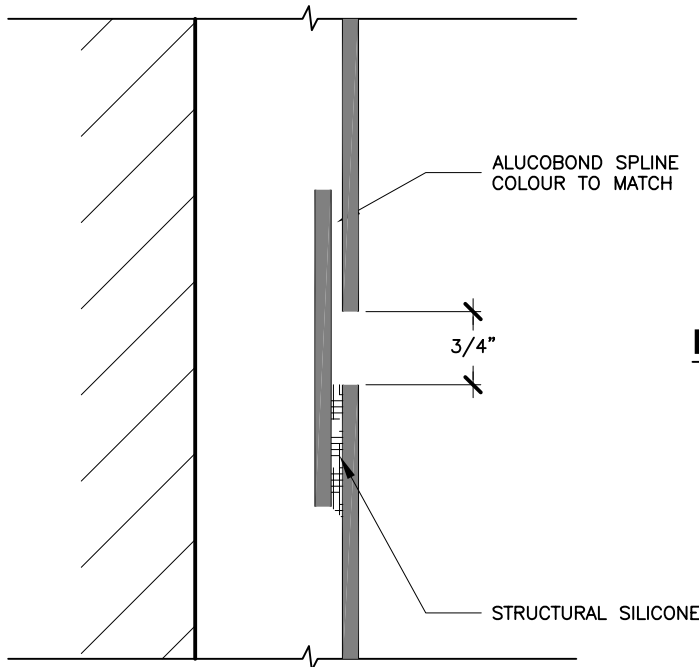
16 OF 17

KEITH PANEL SYSTEMS

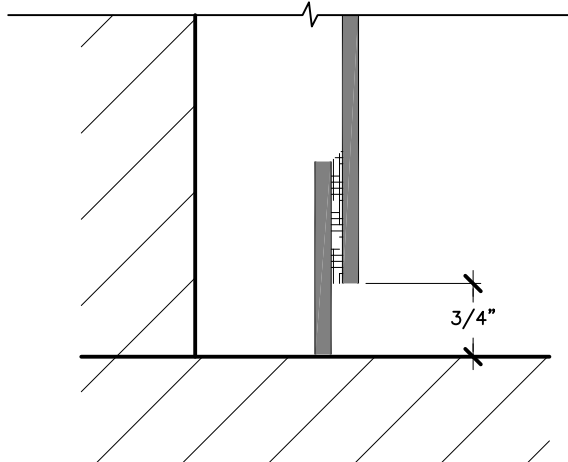
SYSTEM -A- PLUS



COLUMN HEAD



HORIZONTAL JOINT



COLUMN BASE



ROUND COLUMN COVERS SECTION DETAILS

17 OF 17