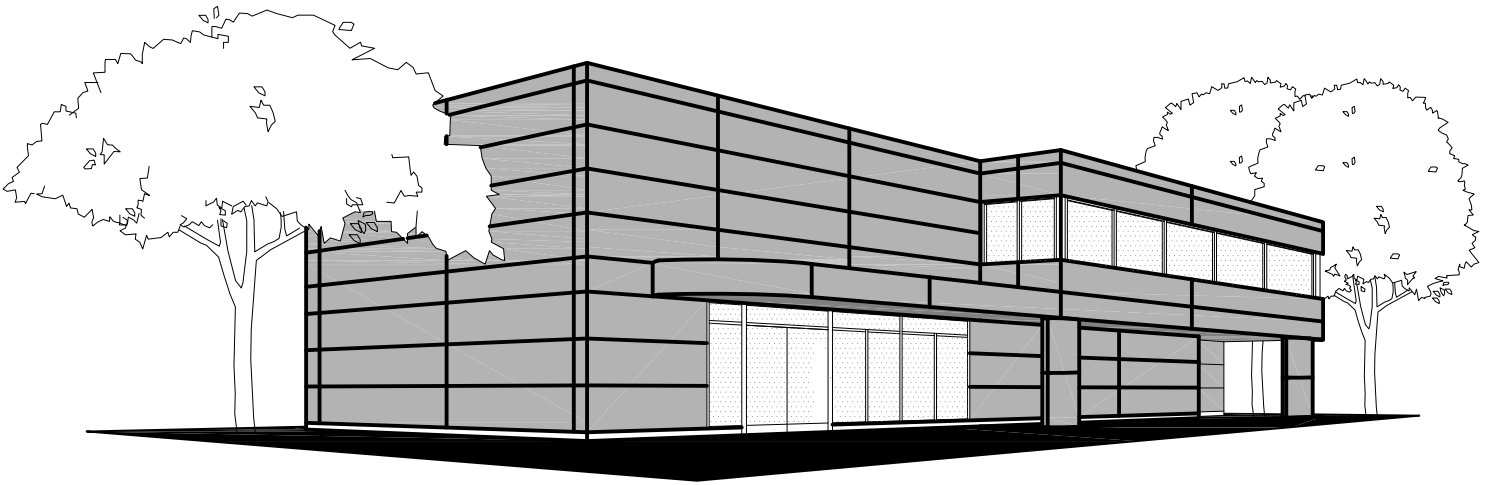


# KEITH PANEL SYSTEMS

---

## D E T A I L S



### KPS KS110 EXPOSED FASTENER FOR USE WITH TRESPA

# KEITH PANEL SYSTEMS

KS110 BACK VENTILATED RAINSCREEN

**\*\*THIS MANUAL IS PROVIDED FOR INFORMATION PURPOSES ONLY\*\***

THE DETAILS SHOWN IN THIS DRAWING PACKAGE ARE NOT INTENDED TO REPLACE PROJECT SPECIFIC SUBMITTAL DRAWINGS, AND ARE SUBJECT TO CHANGE AT ANY TIME. ANY USE OF THESE DRAWINGS OR INSTALLATION OF THE SYSTEM SHOWN IN THESE DRAWINGS SHALL EXCLUSIVELY BE AT THE RISK OF THE PARTIES INVOLVED IN SUCH USE OR INSTALLATION, AND EACH OF SUCH PARTIES ASSUMES ANY AND ALL SUCH RISKS. BY USING THESE DRAWINGS/DETAILS IN ANY WAY, YOU ACKNOWLEDGE AND AGREE THAT YOU HAVE READ AND UNDERSTAND THIS LEGAL NOTICE.

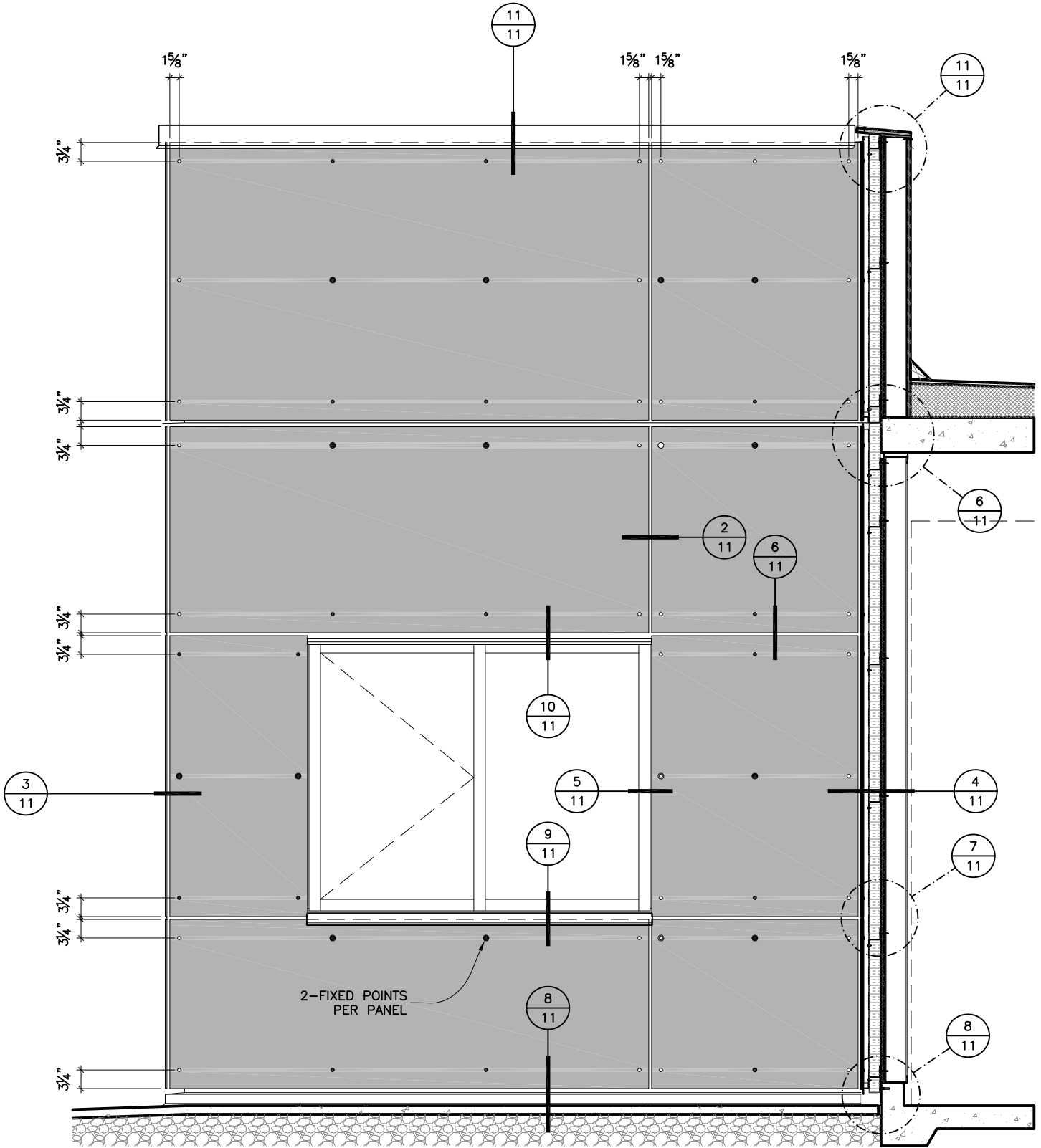
## GENERAL NOTES

1. KPS IS NOT RESPONSIBLE FOR INFORMATION SHOWN ON ALL DETAILS BEYOND KPS SPECIFIC SCOPE OF WORK.
2. DETAILS OF ADJACENT WORK ARE SHOWN FOR COMPLETENESS ONLY. THE PROJECT ARCHITECT/ PROJECT ENGINEER/ THE CONTRACTOR SUPPLYING AND/OR INSTALLING THE STRUCTURAL SUPPORT IS RESPONSIBLE FOR ITS DESIGN/ INSTALLATION TO ACCOMMODATE ALL LOADS IMPOSED UPON IT BY OUR PRODUCTS.
3. OUR ENGINEERING IS LIMITED TO THE LOAD CARRYING COMPONENTS OF THE PANEL SYSTEM AND ITS FASTENERS SHOWN ON THESE SHOP DRAWINGS.
4. OUR COMPANY POLICY IS TO IMPROVE AS WE PROGRESS, THEREFORE, THE DETAILS IN THIS MANUAL MAY IMPROVE OR CHANGE AS APPROVED BY CONSULTANTS.
5. THESE DRAWINGS SHALL REMAIN THE PROPERTY OF KEITH PANEL SYSTEMS CO. LTD. THIS DOCUMENT SHALL NOT BE REPRODUCED OR USED FOR ADDITIONS OR ALTERATIONS WITHOUT THE PRIOR WRITTEN CONSENT OF KEITH PANEL SYSTEMS CO. LTD.
6. JOINT CAULKING: IF REQUIRED. DOW CWS RECOMMENDED. (NOTE SHOP DRAWINGS FOR LOCATIONS.)
7. INTERACTION BETWEEN DISSIMILAR MATERIALS (IE. ALUMINUM TO GALVANIZED STEEL) MUST BE SEPARATED (IE. SHIMS OR SEPARATION TAPE).
8. ADJACENT SUBTRADES TO LEAVE MINIMUM 6" FLAP OF AIR/VAPOUR BARRIER TO TIE IN WITH KPS. SIMILIARLY KPS WILL LEAVE 6" FLAP TO TIE IN WITH ADJACENT SUBTRADES WHICHEVER COMES FIRST.
9. THE INFORMATION IS EXCLUSIVELY INTENDED FOR GENERAL INFORMATION PURPOSES AND IS NOT INTENDED AS A RECOMMENDATION, DESIGN STRUCTURAL CALCULATION, ESTIMATE OR OTHER WARRANTY OR REPRESENTATION FOR THE VISITOR. KPS DOES NOT WARRANT AND ACCEPTS NO RESPONSIBILITY FOR THE ACCURACY AND/OR COMPLETENESS OF THE INFORMATION (INCLUDING INFORMATION ON THE KPS PRODUCTS) OR THAT THE INFORMATION IS SUITABLE FOR THE PURPOSE FOR WHICH IT IS CONSULTED AND THIRD PARTIES MUST HAVE A PROFESSIONAL ADVISER INFORM THEM ABOUT (THE SUITABILITY OF) THE KPS PRODUCTS FOR ALL DESIRED APPLICATIONS AND ABOUT APPLICABLE LAWS AND REGULATIONS.

KPS\_GENERIC\_SWISSPEARL

# KEITH PANEL SYSTEMS

## SYSTEM DETAILS



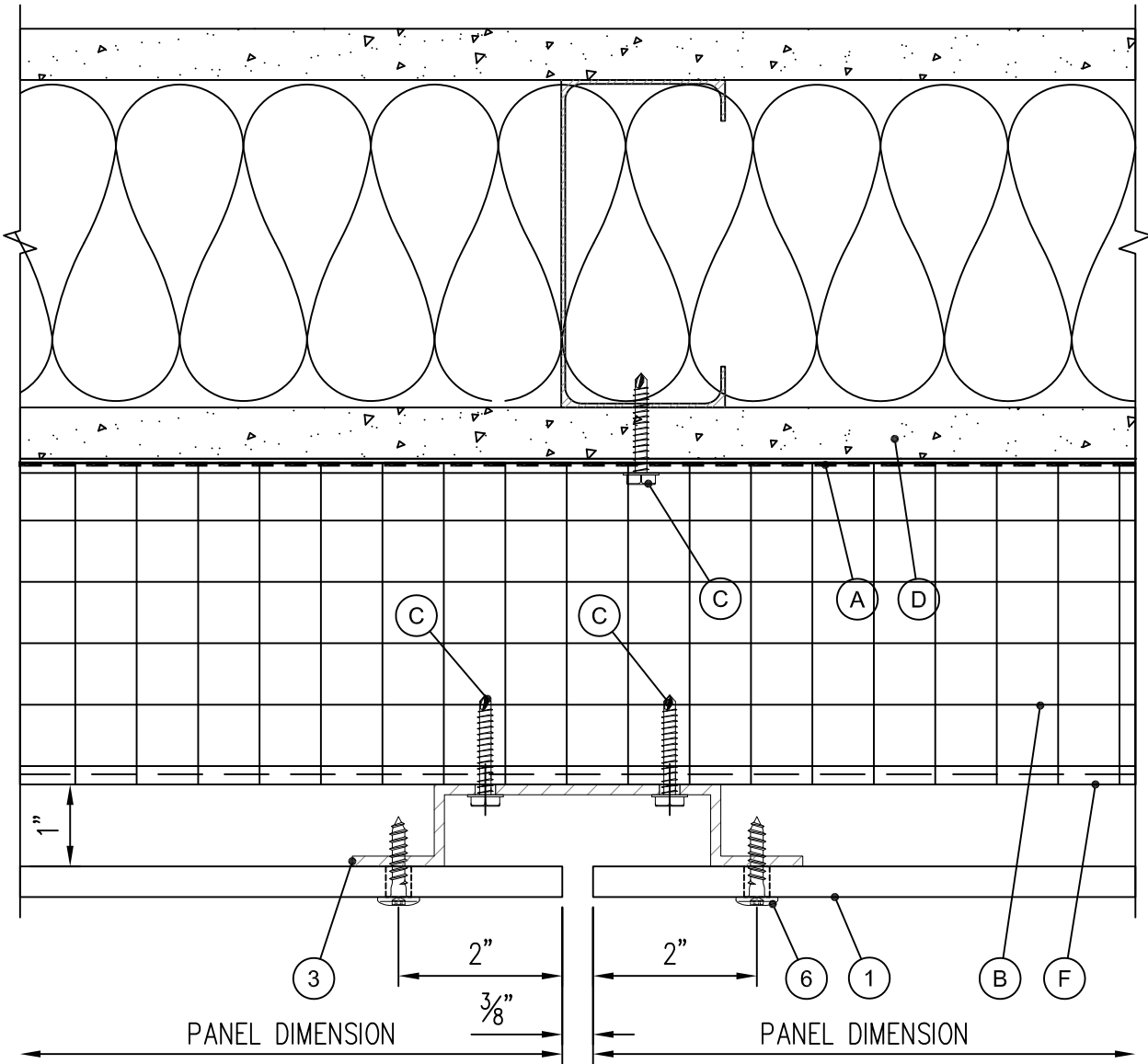
SAMPLE ELEVATION

1 OF 11

# KEITH PANEL SYSTEMS

## SYSTEM DETAILS

ID.	DESCRIPTION	ID.	DESCRIPTION
A	WEATHER BARRIER (MATERIAL SPECIFICATION AVAILABLE UPON REQUEST)	1	TRESPA METEON PANEL
B	MINERAL WOOL (MATERIAL SPECIFICATION AVAILABLE UPON REQUEST)	2	J-CHANNEL
C	CHANNEL ANCHOR	3	HAT-CHANNEL
D	SHEATHING	4	ADJUSTABLE BRACKET
E	STEEL BACKING PLATE	5	FIXED BRACKET
F	Z FURRING	6	PANEL FASTENER
G	SYSTEM CLOSURE	7	PANEL RIVET
		8	RAIL ANCHOR
		9	RAIL
		10	SYSTEM CLOSURE
		11	VENT SCREEN
		12	CLIP ANCHOR
		13	CORNER CLOSURE
		14	VENT SCREEN

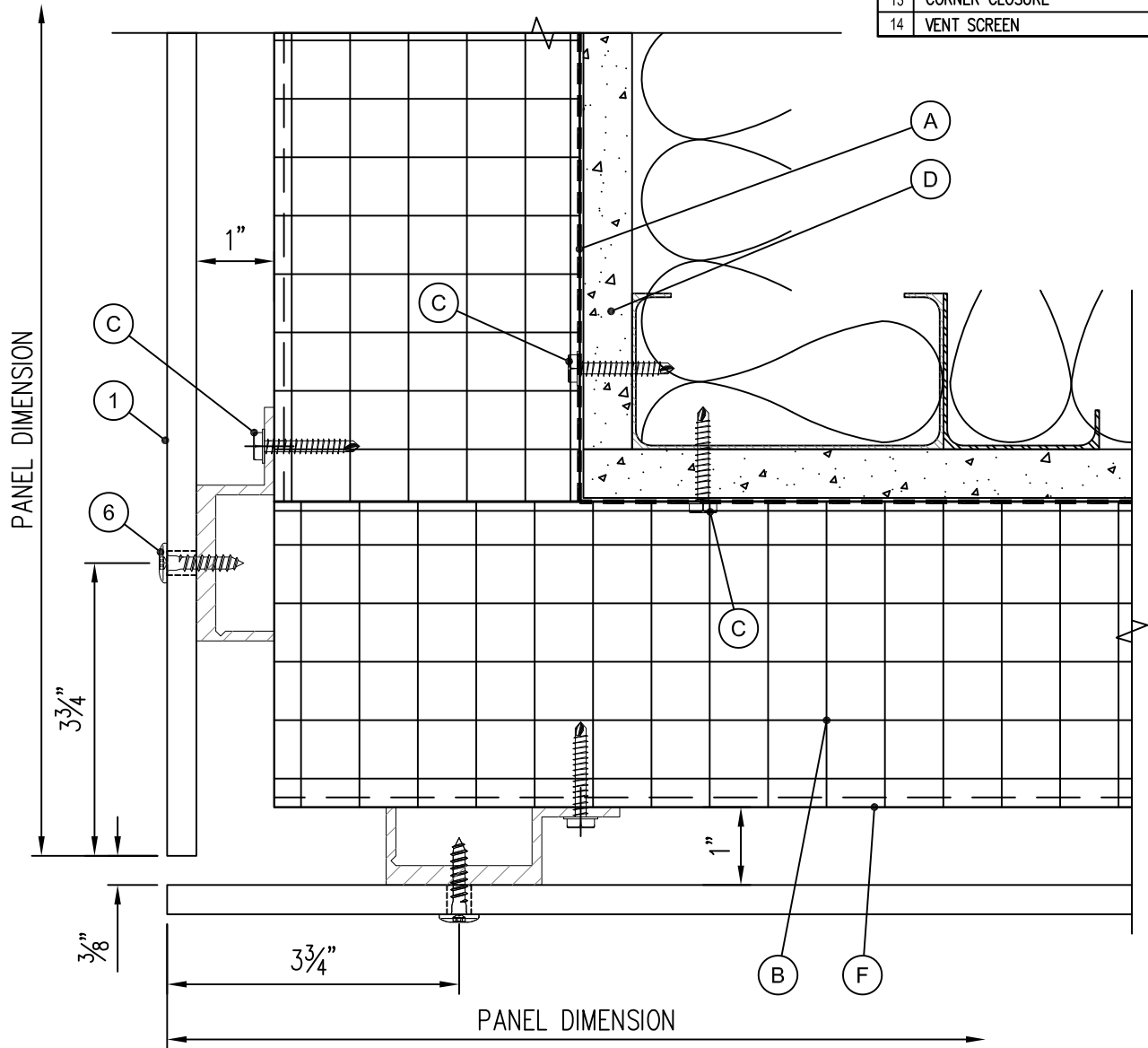


### TYPICAL VERTICAL JOINT

# KEITH PANEL SYSTEMS

## SYSTEM DETAILS

ID.	DESCRIPTION	ID.	DESCRIPTION
A	WEATHER BARRIER (MATERIAL SPECIFICATION AVAILABLE UPON REQUEST)	1	TRESPA METEON PANEL
B	MINERAL WOOL (MATERIAL SPECIFICATION AVAILABLE UPON REQUEST)	2	J-CHANNEL
C	CHANNEL ANCHOR	3	HAT-CHANNEL
D	SHEATHING	4	ADJUSTABLE BRACKET
E	STEEL BACKING PLATE	5	FIXED BRACKET
F	Z FURRING	6	PANEL FASTENER
G	SYSTEM CLOSURE	7	PANEL RIVET
		8	RAIL ANCHOR
		9	RAIL
		10	SYSTEM CLOSURE
		11	VENT SCREEN
		12	CLIP ANCHOR
		13	CORNER CLOSURE
		14	VENT SCREEN



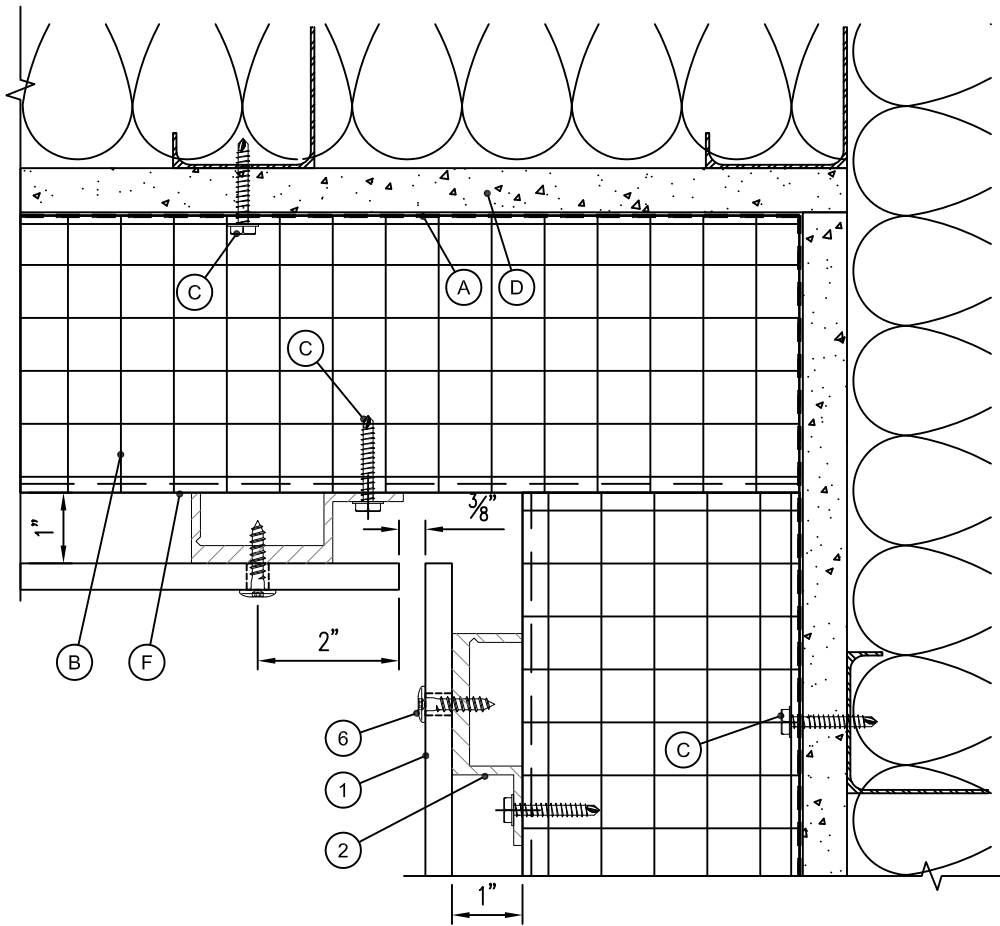
OUTSIDE CORNER

3 OF 11

# KEITH PANEL SYSTEMS

## SYSTEM DETAILS

ID.	DESCRIPTION	ID.	DESCRIPTION
A	WEATHER BARRIER (MATERIAL SPECIFICATION AVAILABLE UPON REQUEST)	1	TRESPA METEON PANEL
B	MINERAL WOOL (MATERIAL SPECIFICATION AVAILABLE UPON REQUEST)	2	J-CHANNEL
C	CHANNEL ANCHOR	3	HAT-CHANNEL
D	SHEATHING	4	ADJUSTABLE BRACKET
E	STEEL BACKING PLATE	5	FIXED BRACKET
F	Z FURRING	6	PANEL FASTENER
G	SYSTEM CLOSURE	7	PANEL RIVET
		8	RAIL ANCHOR
		9	RAIL
		10	SYSTEM CLOSURE
		11	VENT SCREEN
		12	CLIP ANCHOR
		13	CORNER CLOSURE
		14	VENT SCREEN



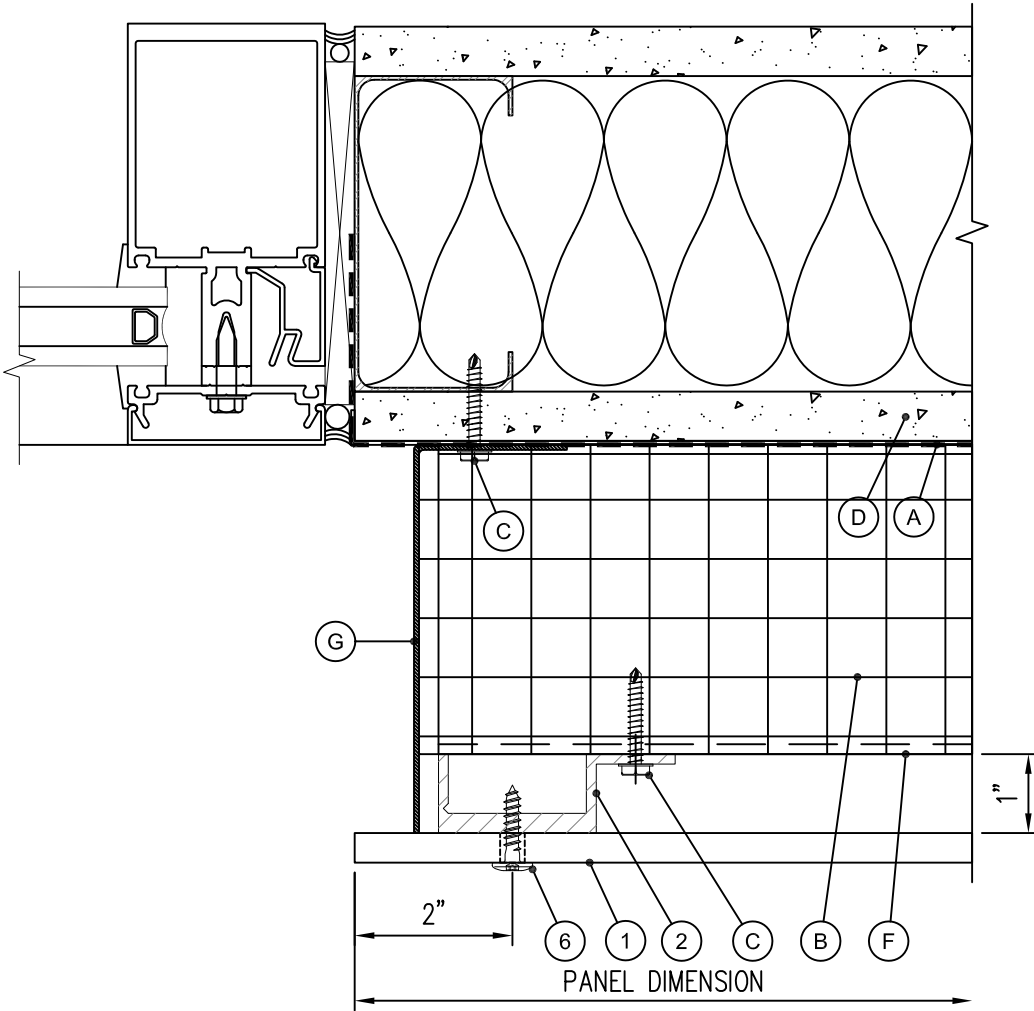
INSIDE CORNER

4 OF 11

# KEITH PANEL SYSTEMS

## SYSTEM DETAILS

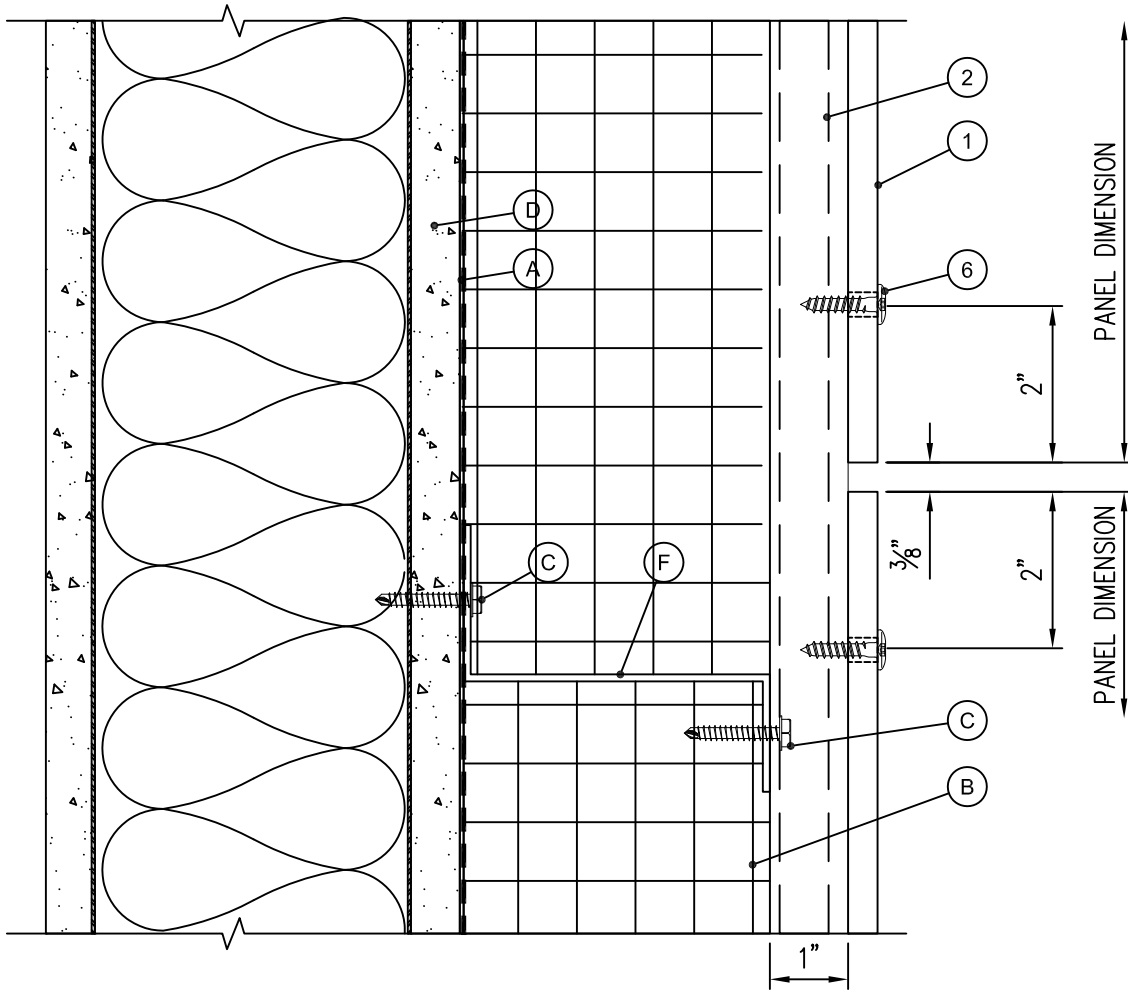
ID.	DESCRIPTION	ID.	DESCRIPTION
A	WEATHER BARRIER (MATERIAL SPECIFICATION AVAILABLE UPON REQUEST)	1	TRESPA METEON PANEL
B	MINERAL WOOL (MATERIAL SPECIFICATION AVAILABLE UPON REQUEST)	2	J-CHANNEL
C	CHANNEL ANCHOR	3	HAT-CHANNEL
D	SHEATHING	4	ADJUSTABLE BRACKET
E	STEEL BACKING PLATE	5	FIXED BRACKET
F	Z FURRING	6	PANEL FASTENER
G	SYSTEM CLOSURE	7	PANEL RIVET
		8	RAIL ANCHOR
		9	RAIL
		10	SYSTEM CLOSURE
		11	VENT SCREEN
		12	CLIP ANCHOR
		13	CORNER CLOSURE
		14	VENT SCREEN



# KEITH PANEL SYSTEMS

## SYSTEM DETAILS

ID.	DESCRIPTION	ID.	DESCRIPTION
A	WEATHER BARRIER (MATERIAL SPECIFICATION AVAILABLE UPON REQUEST)	1	TRESPA METEON PANEL
B	MINERAL WOOL (MATERIAL SPECIFICATION AVAILABLE UPON REQUEST)	2	J-CHANNEL
		3	HAT-CHANNEL
C	CHANNEL ANCHOR	4	ADJUSTABLE BRACKET
		5	FIXED BRACKET
D	SHEATHING	6	PANEL FASTENER
E	STEEL BACKING PLATE	7	PANEL RIVET
F	Z FURRING	8	RAIL ANCHOR
G	SYSTEM CLOSURE	9	RAIL
		10	SYSTEM CLOSURE
		11	VENT SCREEN
		12	CLIP ANCHOR
		13	CORNER CLOSURE
		14	VENT SCREEN



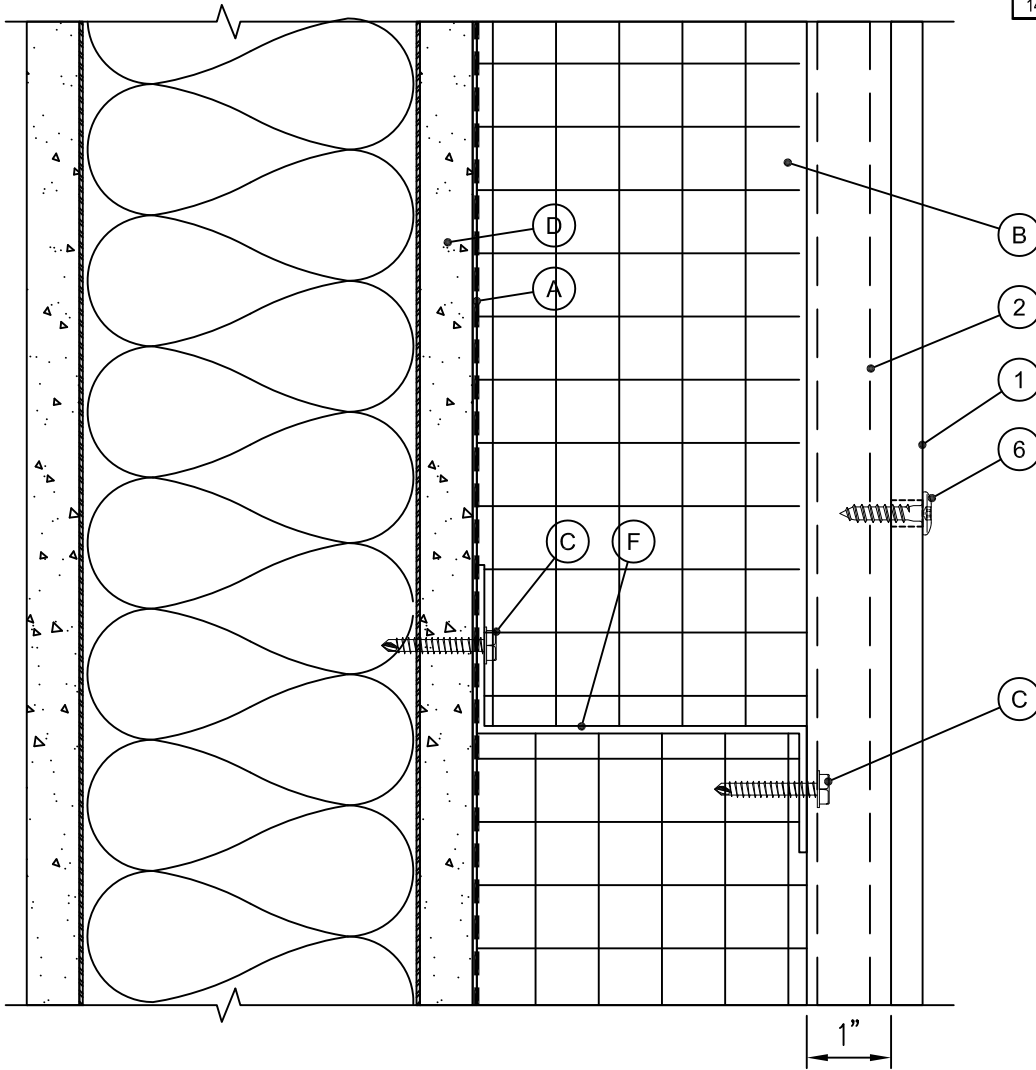
TYPICAL HORIZONTAL JOINT

6 OF 11

# KEITH PANEL SYSTEMS

## SYSTEM DETAILS

ID.	DESCRIPTION	ID.	DESCRIPTION
A	WEATHER BARRIER (MATERIAL SPECIFICATION AVAILABLE UPON REQUEST)	1	TRESPA METEON PANEL
B	MINERAL WOOL (MATERIAL SPECIFICATION AVAILABLE UPON REQUEST)	2	J-CHANNEL
C	CHANNEL ANCHOR	3	HAT-CHANNEL
D	SHEATHING	4	ADJUSTABLE BRACKET
E	STEEL BACKING PLATE	5	FIXED BRACKET
F	Z FURRING	6	PANEL FASTENER
G	SYSTEM CLOSURE	7	PANEL RIVET
		8	RAIL ANCHOR
		9	RAIL
		10	SYSTEM CLOSURE
		11	VENT SCREEN
		12	CLIP ANCHOR
		13	CORNER CLOSURE
		14	VENT SCREEN



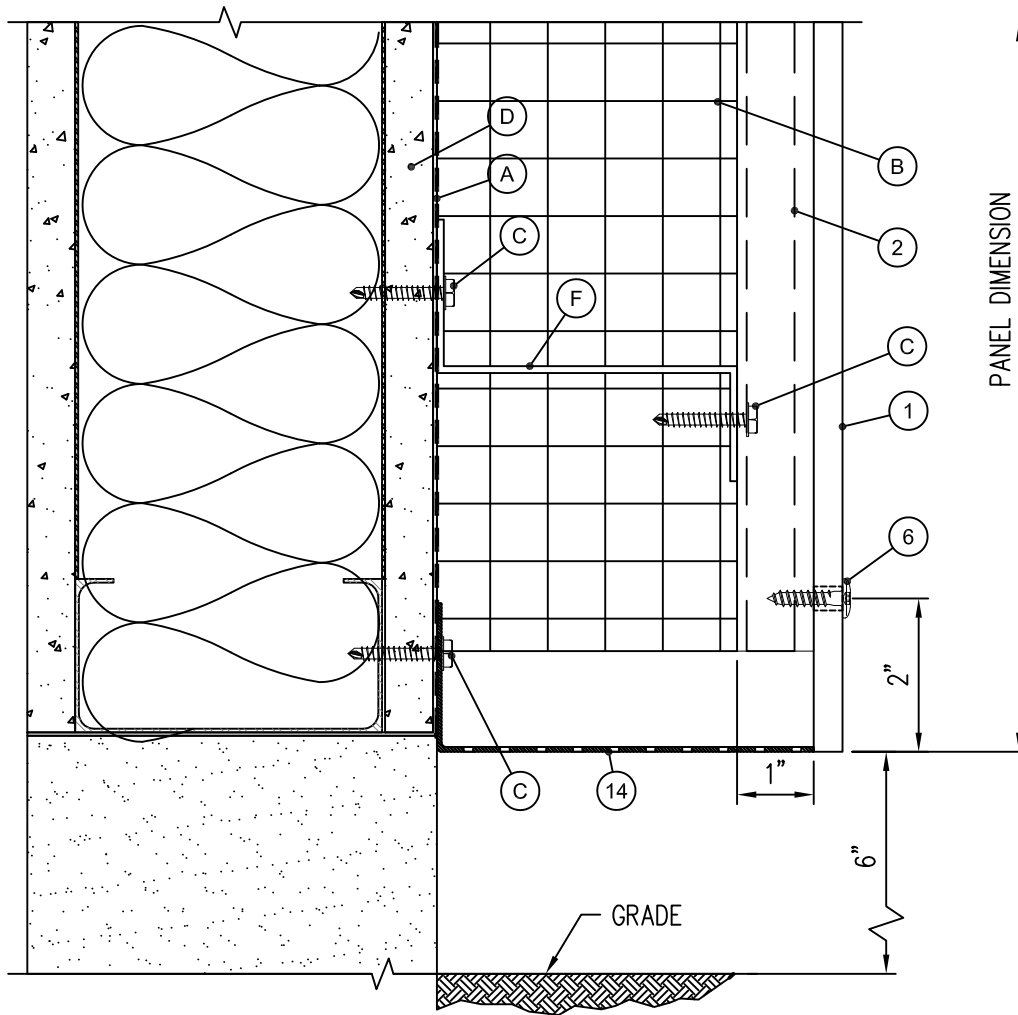
### MID-PANEL FASTENER SUPPORT

Swiss Pearl details.dwg

# KEITH PANEL SYSTEMS

## SYSTEM DETAILS

ID.	DESCRIPTION	ID.	DESCRIPTION
A	WEATHER BARRIER (MATERIAL SPECIFICATION AVAILABLE UPON REQUEST)	1	TRESPA METEON PANEL
B	MINERAL WOOL (MATERIAL SPECIFICATION AVAILABLE UPON REQUEST)	2	J-CHANNEL
C	CHANNEL ANCHOR	3	HAT-CHANNEL
D	SHEATHING	4	ADJUSTABLE BRACKET
E	STEEL BACKING PLATE	5	FIXED BRACKET
F	Z FURRING	6	PANEL FASTENER
G	SYSTEM CLOSURE	7	PANEL RIVET
		8	RAIL ANCHOR
		9	RAIL
		10	SYSTEM CLOSURE
		11	VENT SCREEN
		12	CLIP ANCHOR
		13	CORNER CLOSURE
		14	VENT SCREEN



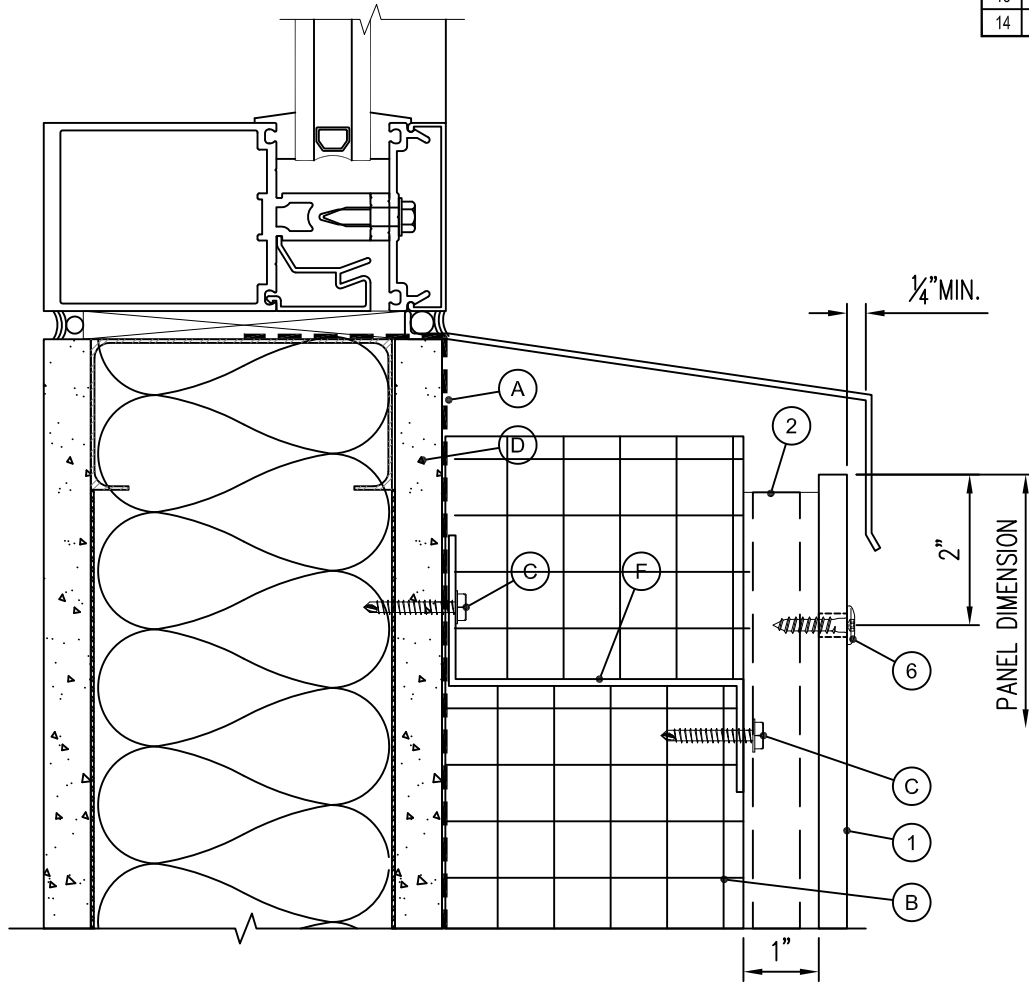
BASE

8 OF 11

# KEITH PANEL SYSTEMS

## SYSTEM DETAILS

ID.	DESCRIPTION	ID.	DESCRIPTION
A	WEATHER BARRIER (MATERIAL SPECIFICATION AVAILABLE UPON REQUEST)	1	TRESPA METEON PANEL
B	MINERAL WOOL (MATERIAL SPECIFICATION AVAILABLE UPON REQUEST)	2	J-CHANNEL
C	CHANNEL ANCHOR	3	HAT-CHANNEL
D	SHEATHING	4	ADJUSTABLE BRACKET
E	STEEL BACKING PLATE	5	FIXED BRACKET
F	Z FURRING	6	PANEL FASTENER
G	SYSTEM CLOSURE	7	PANEL RIVET
		8	RAIL ANCHOR
		9	RAIL
		10	SYSTEM CLOSURE
		11	VENT SCREEN
		12	CLIP ANCHOR
		13	CORNER CLOSURE
		14	VENT SCREEN



Swiss Pearl details.dwg



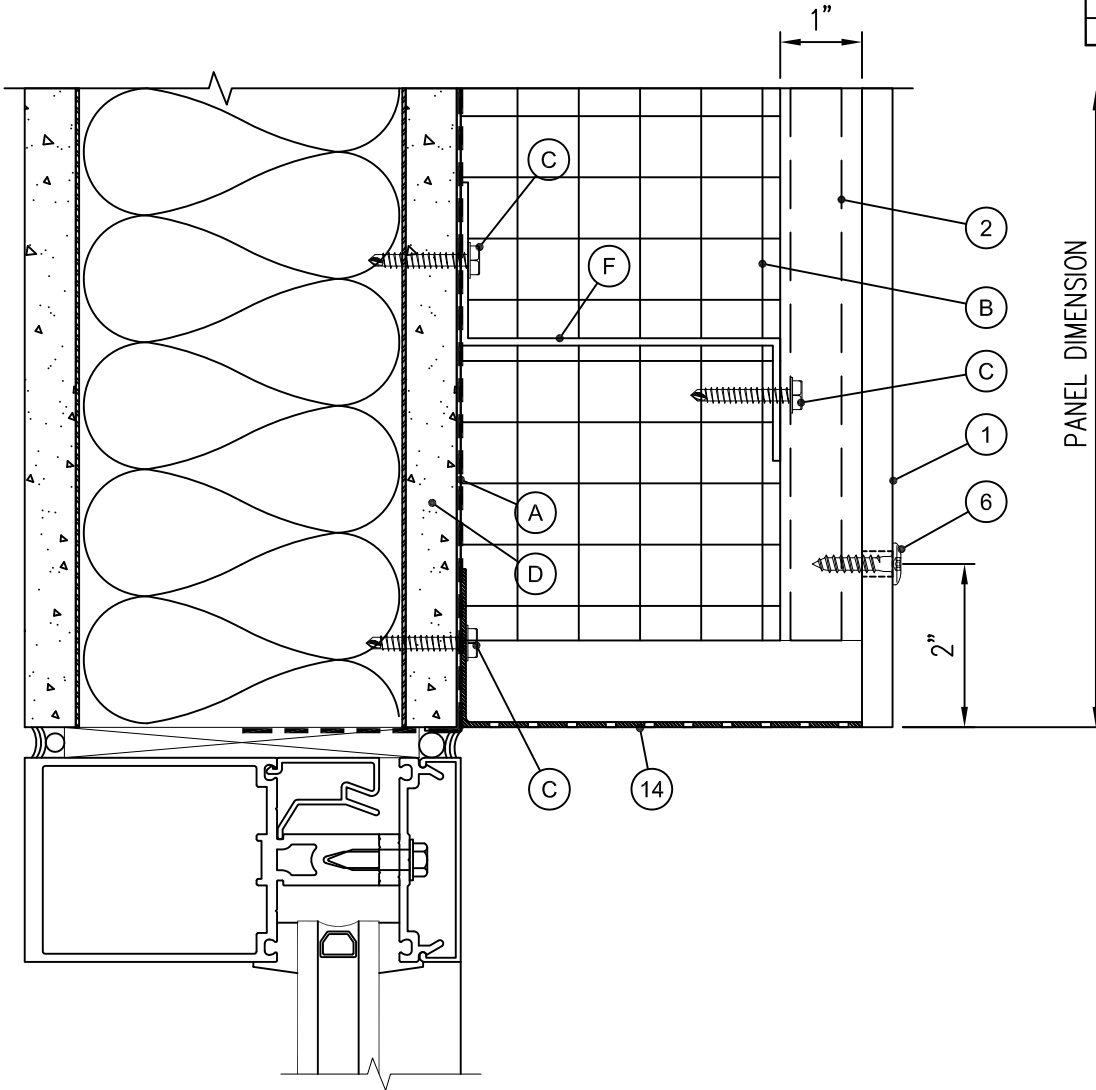
WINDOW SILL

9 OF 11

# KEITH PANEL SYSTEMS

## SYSTEM DETAILS

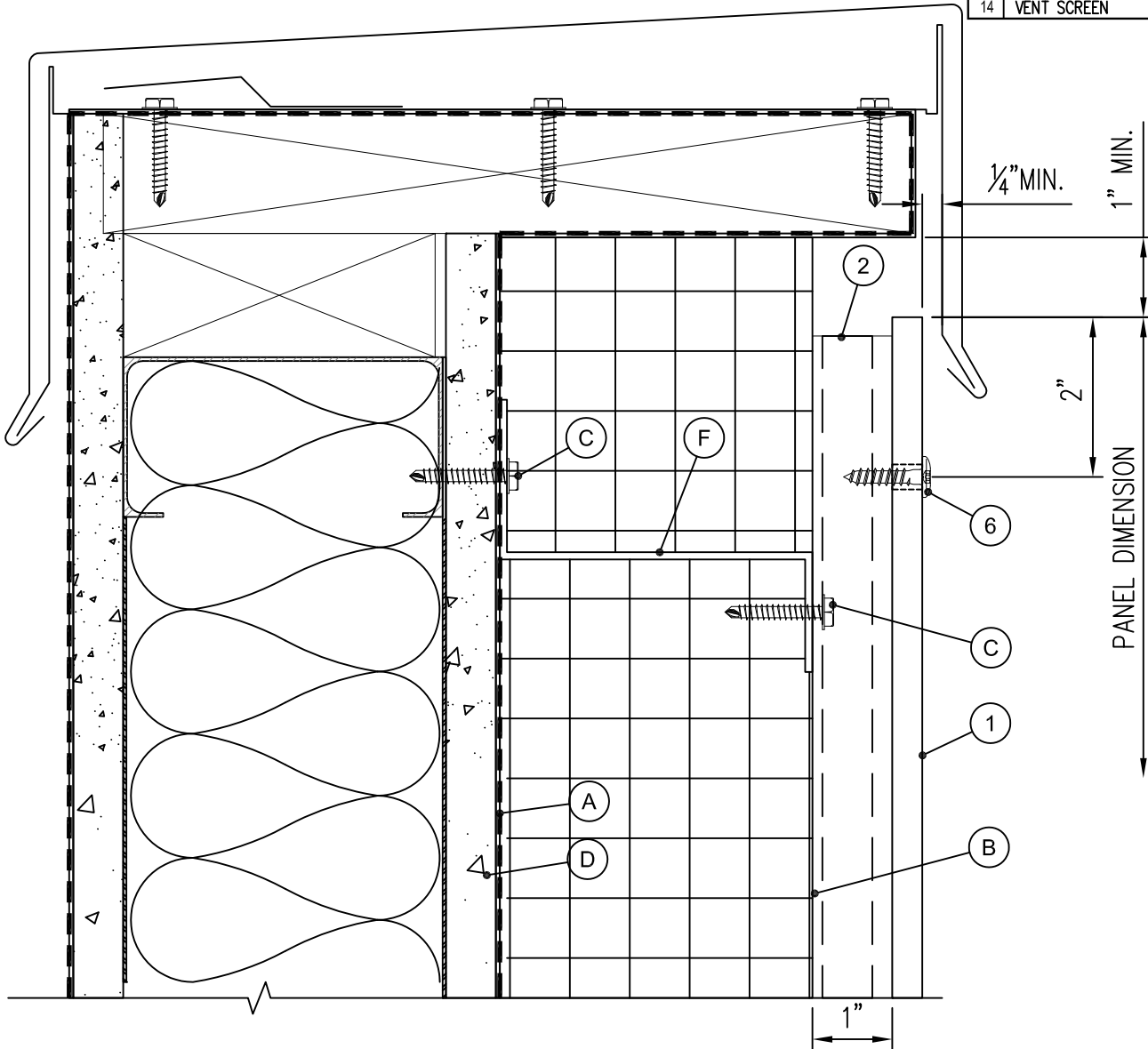
ID.	DESCRIPTION	ID.	DESCRIPTION
A	WEATHER BARRIER (MATERIAL SPECIFICATION AVAILABLE UPON REQUEST)	1	TRESPA METEON PANEL
B	MINERAL WOOL (MATERIAL SPECIFICATION AVAILABLE UPON REQUEST)	2	J-CHANNEL
		3	HAT-CHANNEL
C	CHANNEL ANCHOR	4	ADJUSTABLE BRACKET
		5	FIXED BRACKET
D	SHEATHING	6	PANEL FASTENER
E	STEEL BACKING PLATE	7	PANEL RIVET
F	Z FURRING	8	RAIL ANCHOR
G	SYSTEM CLOSURE	9	RAIL
		10	SYSTEM CLOSURE
		11	VENT SCREEN
		12	CLIP ANCHOR
		13	CORNER CLOSURE
		14	VENT SCREEN



# KEITH PANEL SYSTEMS

## SYSTEM DETAILS

ID.	DESCRIPTION	ID.	DESCRIPTION
A	WEATHER BARRIER (MATERIAL SPECIFICATION AVAILABLE UPON REQUEST)	1	TRESPA METEON PANEL
B	MINERAL WOOL (MATERIAL SPECIFICATION AVAILABLE UPON REQUEST)	2	J-CHANNEL
C	CHANNEL ANCHOR	3	HAT-CHANNEL
D	SHEATHING	4	ADJUSTABLE BRACKET
E	STEEL BACKING PLATE	5	FIXED BRACKET
F	Z FURRING	6	PANEL FASTENER
G	SYSTEM CLOSURE	7	PANEL RIVET
		8	RAIL ANCHOR
		9	RAIL
		10	SYSTEM CLOSURE
		11	VENT SCREEN
		12	CLIP ANCHOR
		13	CORNER CLOSURE
		14	VENT SCREEN



PARAPET

11 OF 11

Swiss Pearl details.dwg