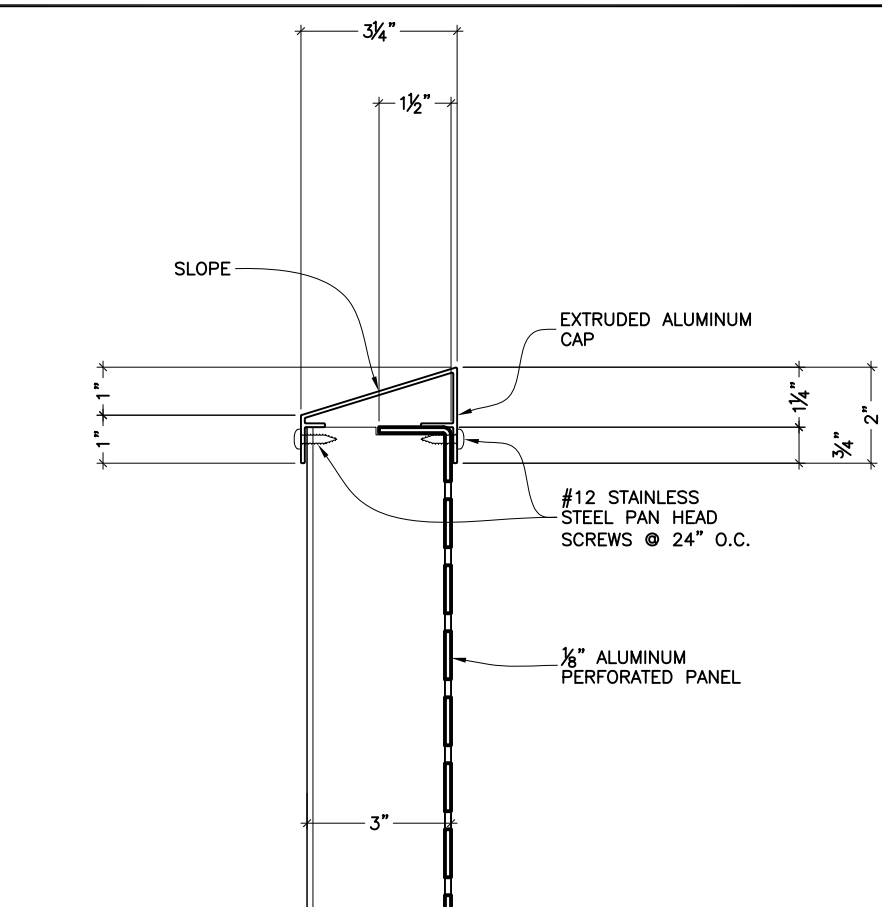
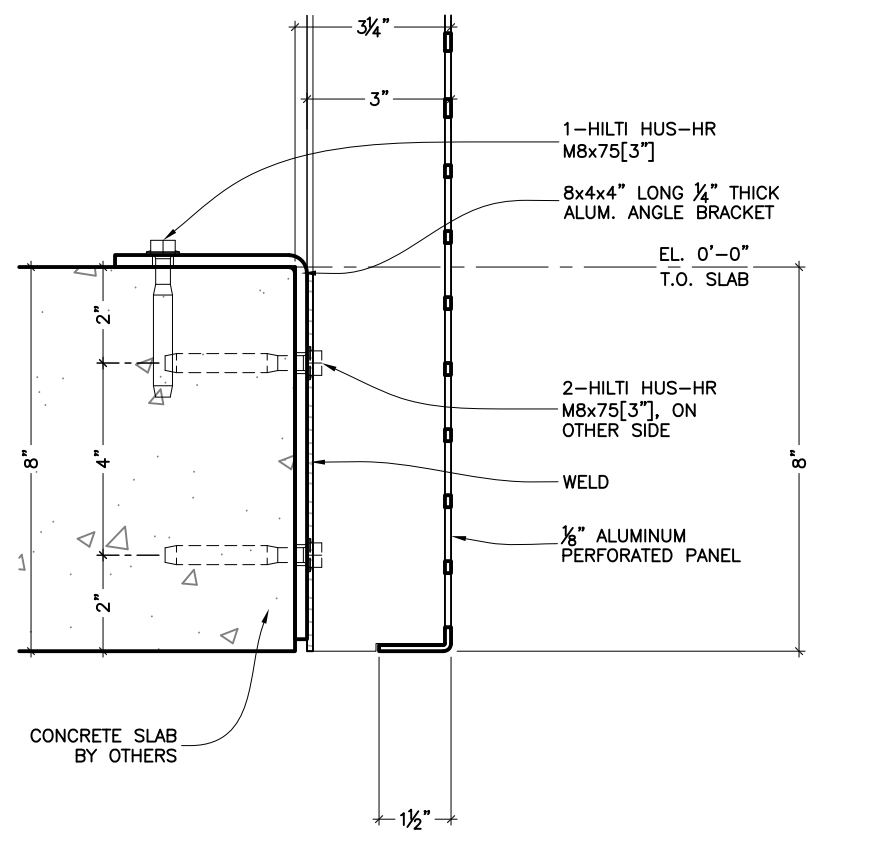


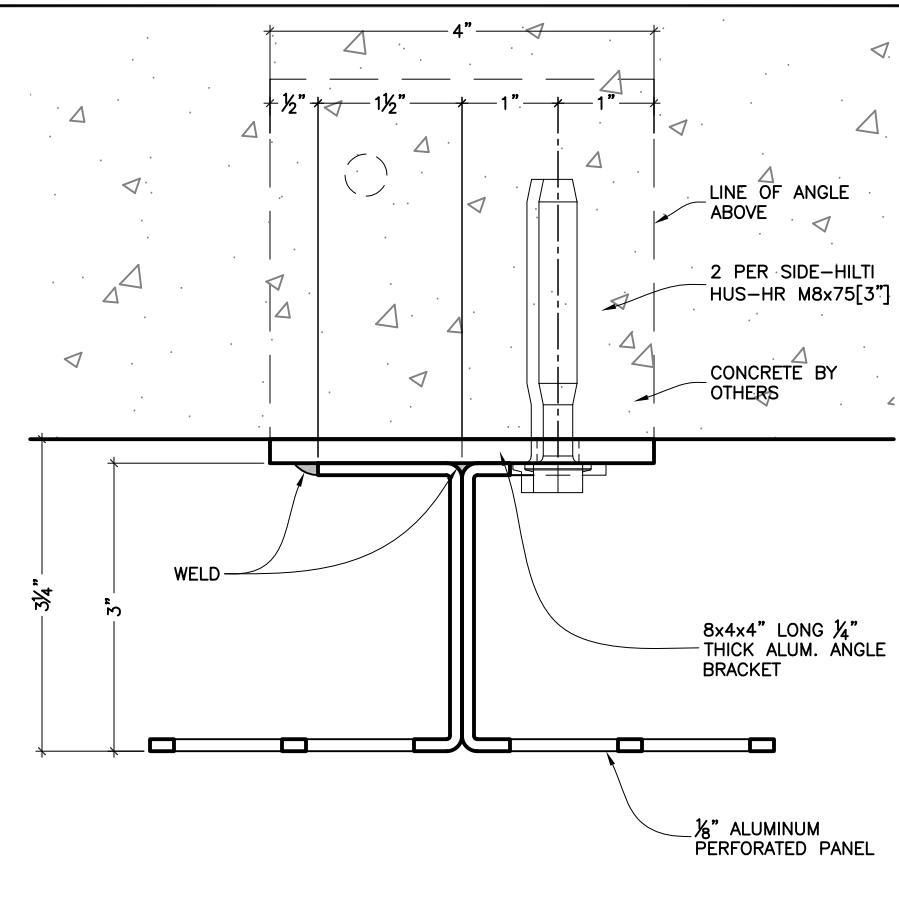
1 RAIL SECTION
P1 SCALE 1 1/2"=1'-0"



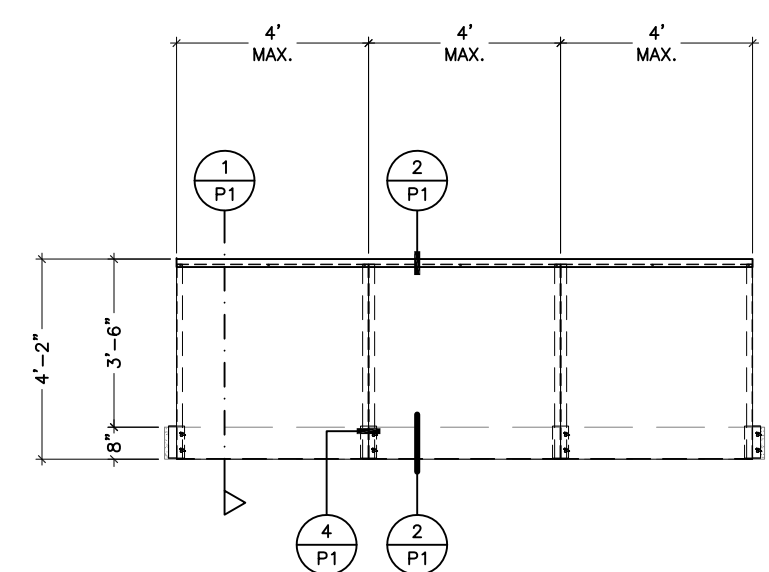
2 TOP
P1 SCALE 3"=1'-0"



3 SLAB
P1 SCALE 3"=1'-0"



4 VERTICAL JOINT @ SLAB ATTACHMENT
P1 SCALE 6"=1'-0"



5 ELEVATION
P1 SCALE 1/4"=1'-0"

PRELIMINARY, NOT FOR CONSTRUCTION.

NO.	DATE	DESCRIPTION
1	JUL.24.20	PRELIMINARY DRAWINGS
2	MAR.23.21	REVISE AS PER MOCKUP

NO.	DATE	DESCRIPTION
1	JUL.24.20	PRELIMINARY DRAWINGS
2	MAR.23.21	REVISE AS PER MOCKUP

KPS
KEITH PANEL SYSTEMS CO., LTD.
 Architectural Building Envelope Solutions
 400-3811 NORTH FRASER WAY phone: (604) 967-4499
 BURNABY, BC fax: (604) 967-4742
 V5J 5J2
 http://www.keithpanel.com email: mail@keithpanel.com

This drawing, its prints and all parts thereof are, and shall remain the sole property of Keith Panel Systems Co., Ltd. (A PPS building envelope system) and may not be reproduced or used for any purpose without written consent.

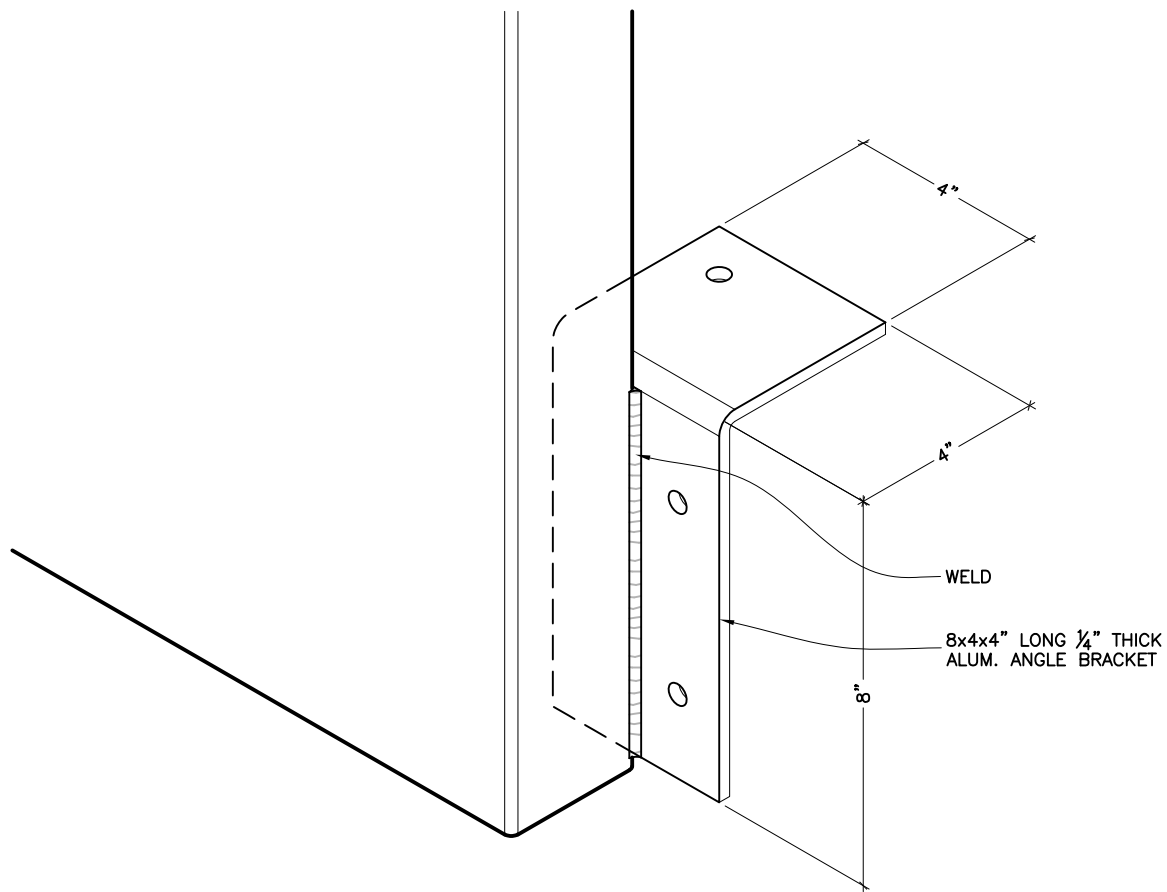
project:
KPS Railing System Concept

project location:
 400-3811 NORTH FRASER WAY
 BURNABY, BC
 V5J 5J2

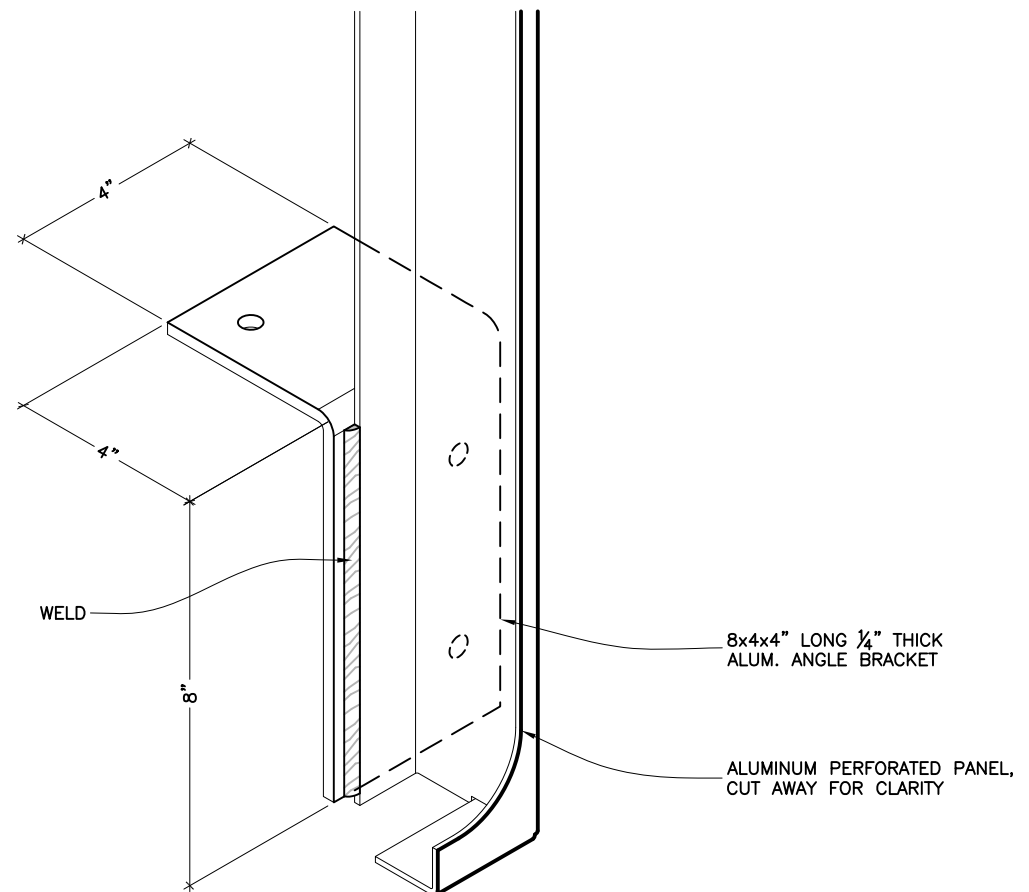
date: JULY 24, 2020
 scale: AS NOTED
 drawn by: HL
 project no: 5000

dwg. title:
DETAILS

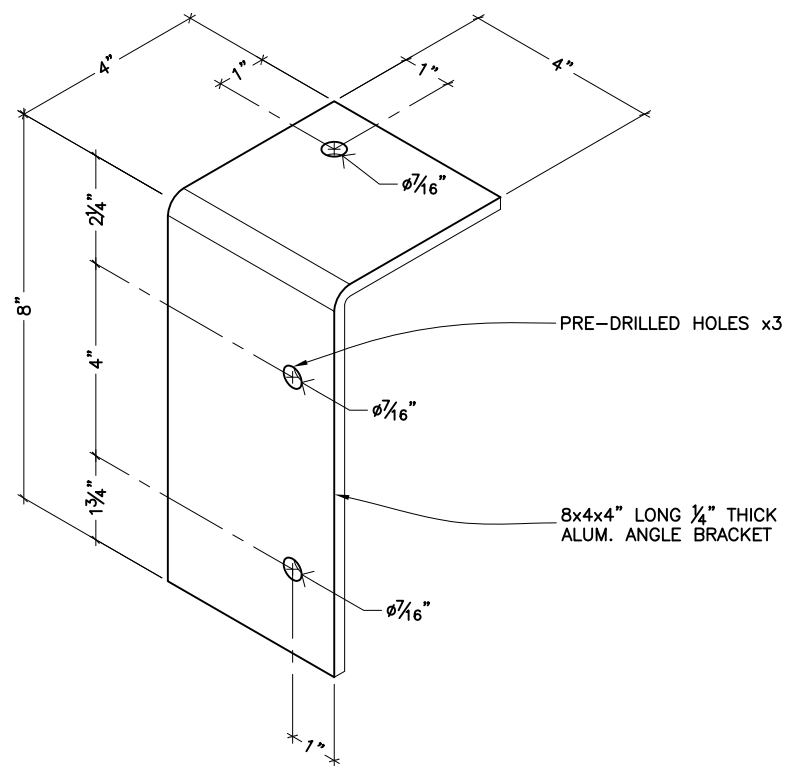
dwg. no:
P1



2 ANGLE BRACKET ISOMETRIC, SLAB EDGE MOUNT SIDE
 P2 SCALE 3"=1'-0"



3 ANGLE BRACKET ISOMETRIC, SLAB TOP MOUNT SIDE
 P2 SCALE 3"=1'-0"



1 ANGLE BRACKET ISOMETRIC
 P2 SCALE 3"=1'-0"

PRELIMINARY, NOT FOR CONSTRUCTION.

NO.	DATE	DESCRIPTION
1	JUL.24.20	PRELIMINARY DRAWINGS
2	MAR.23.21	REVISE AS PER MOCKUP

KPS
KEITH PANEL SYSTEMS CO., LTD.
 Architectural Building Envelope Solutions
 400-3811 NORTH FRASER WAY phone: (604) 967-4499
 BURNABY, BC fax: (604) 967-4742
 V5J 5J2
 http://www.keithpanel.com email: mail@keithpanel.com

This drawing, its prints and all parts thereof are, and shall remain the sole property of Keith Panel Systems Co., Ltd. (A PPS building envelope system) and may not be reproduced or used for any purpose without written consent.

project:
KPS Railing System Concept

project location:
 400-3811 NORTH FRASER WAY
 BURNABY, BC
 V5J 5J2

date: JULY 24, 2020
 scale: AS NOTED
 drawn by: HL
 project no: 5000

dwg. title:
ANGLE BRACKET DETAIL

dwg. no:
P2